

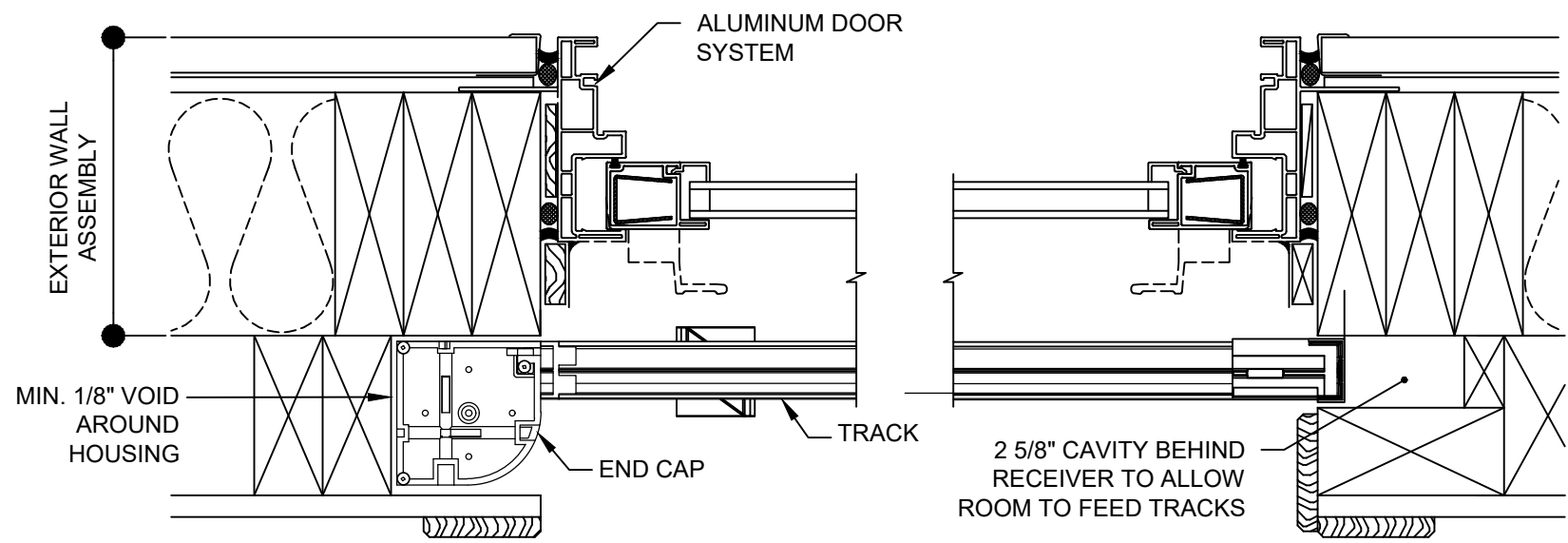
ELEVATION - FRONT VIEW



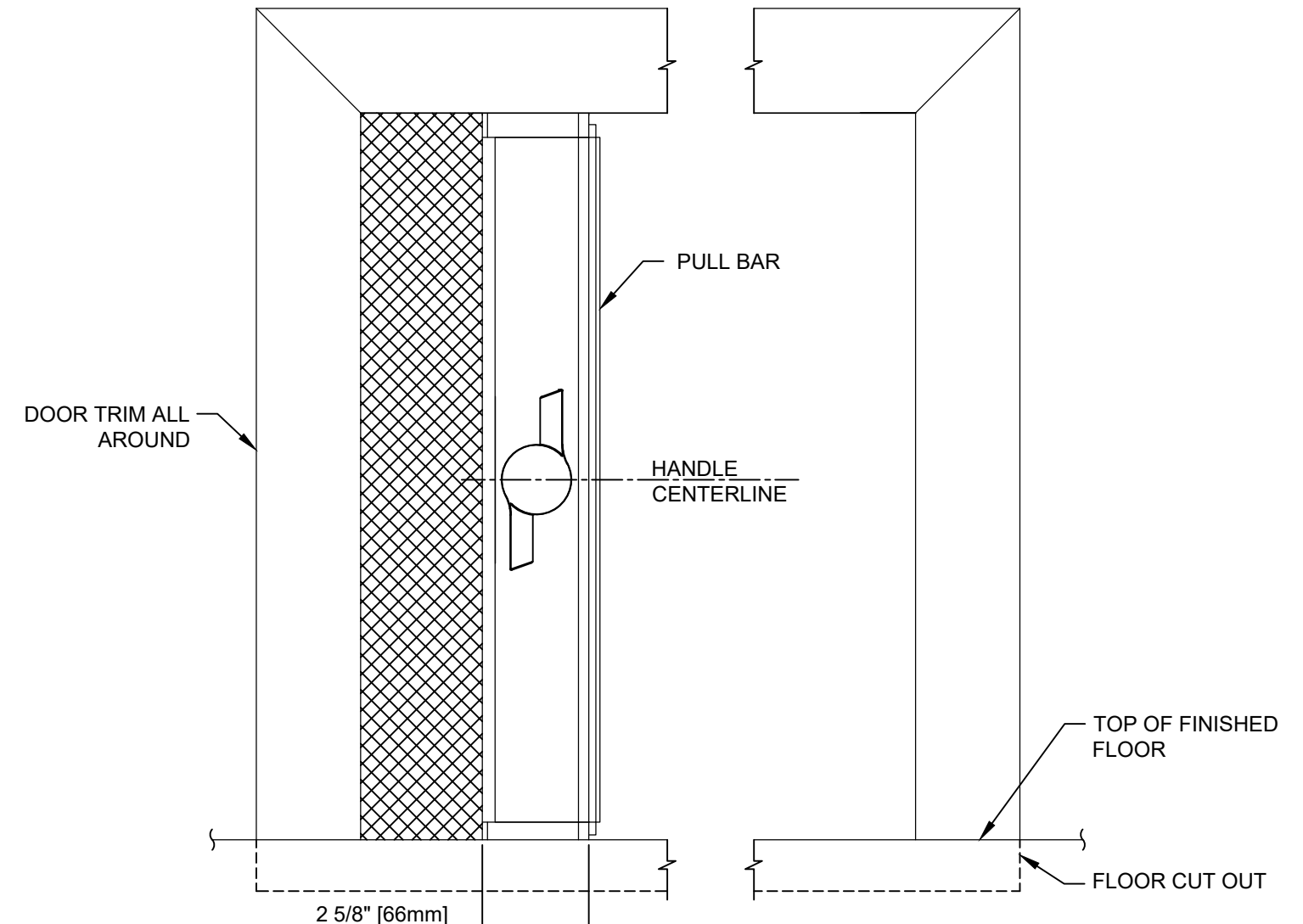
WIZARD INDUSTRIES INC.
 4263 PHILLIPS AVENUE
 BURNABY, BC
 V5A 2X4

VISTA VIEW PLUS 80mm
 CONCEALED

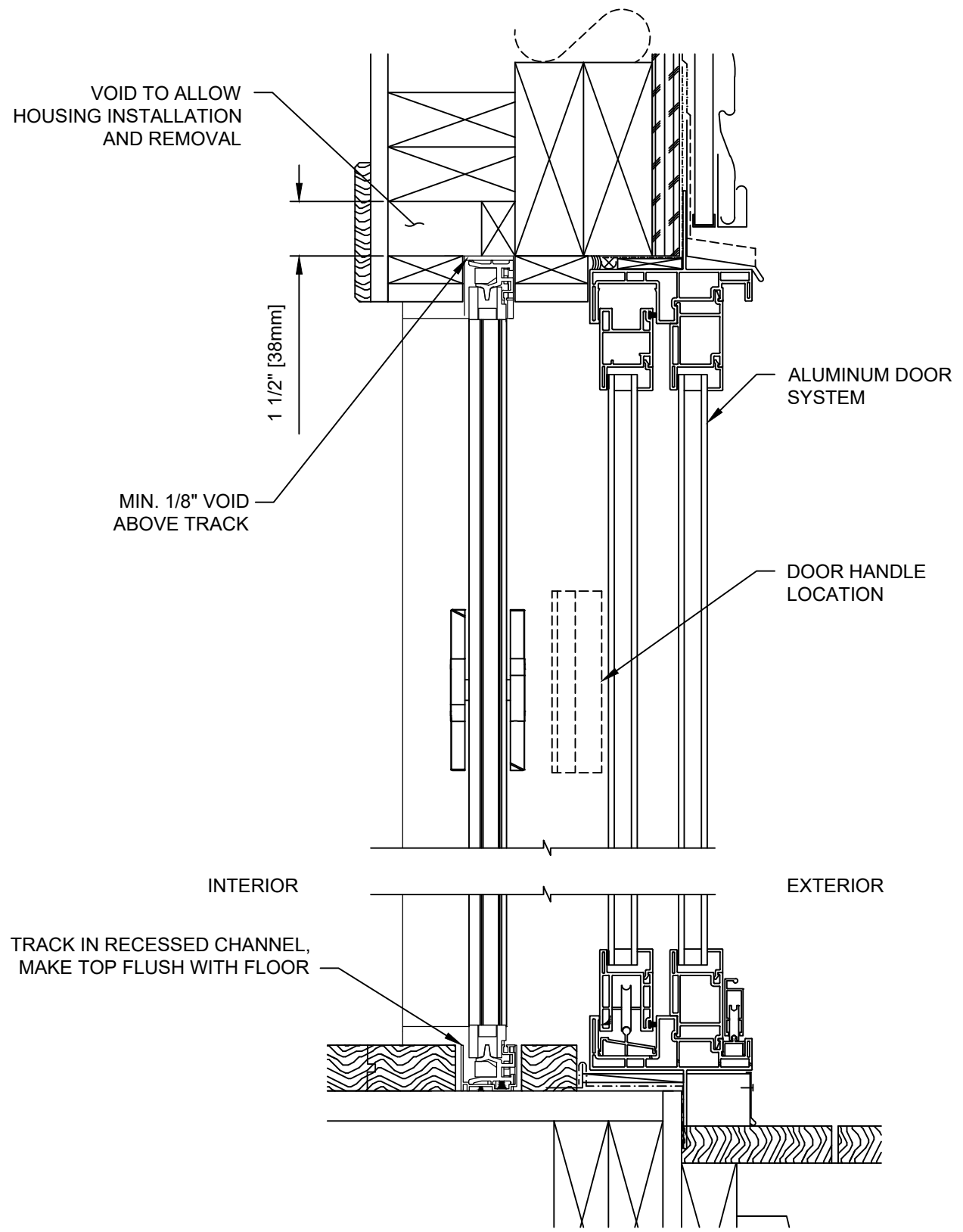
SCALE:
 1 : 4
 DATE:
 NOV. 20 2024
 DWG:
 RTS-004A



PLAN - SECTION VIEW



ELEVATION - FRONT VIEW



ELEVATION - SECTION VIEW



WIZARD INDUSTRIES INC.
 4263 PHILLIPS AVENUE
 BURNABY, BC
 V5A 2X4

**VISTA VIEW PLUS 80mm
 CONCEALED**

SCALE:
 1 : 4
 DATE:
 NOV. 20 2024
 DWG:
 RTS-004B