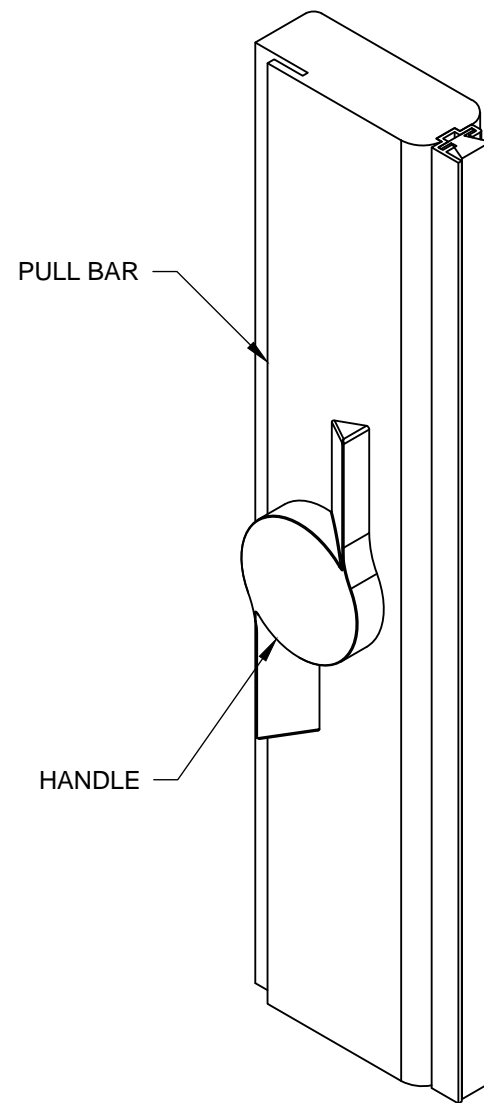
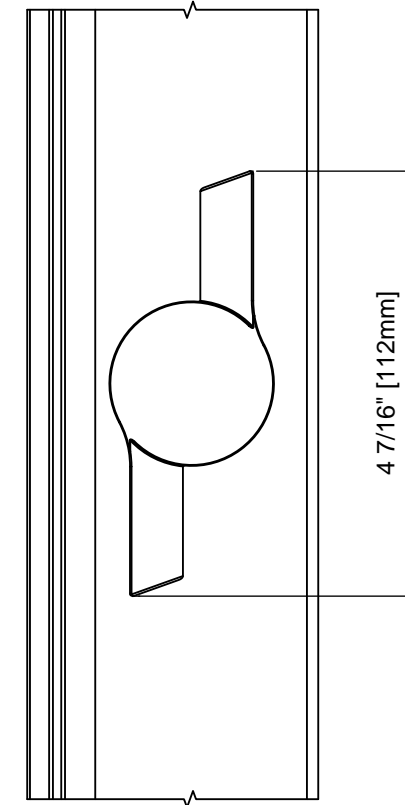
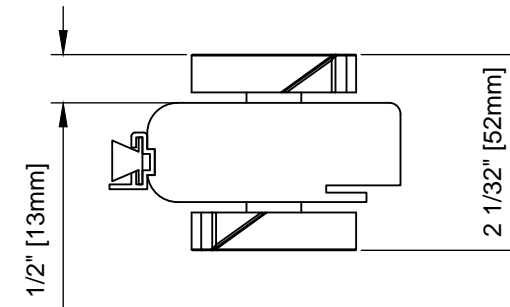


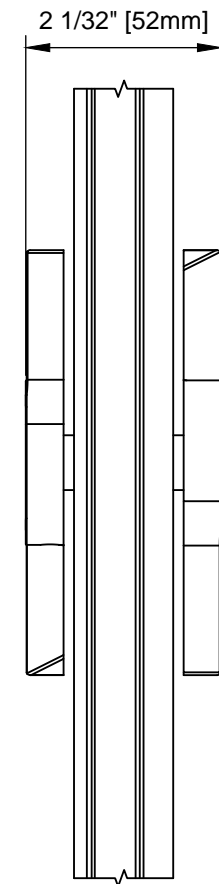
HANDLE



ISOMETRIC VIEW

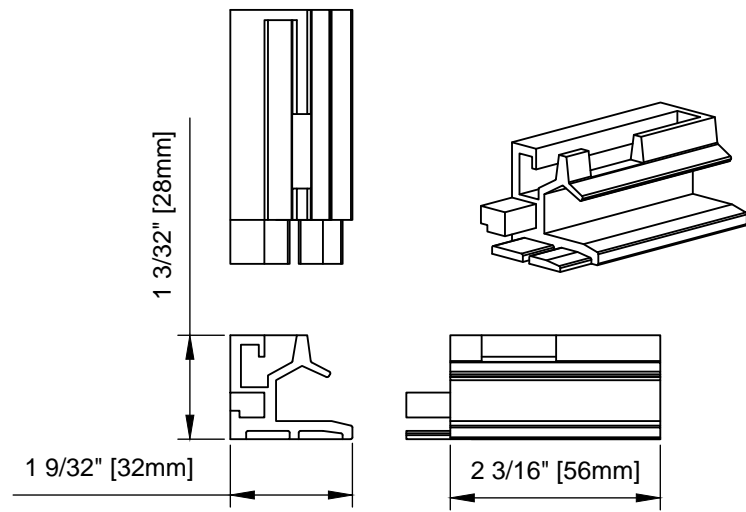


FRONT ELEVATION

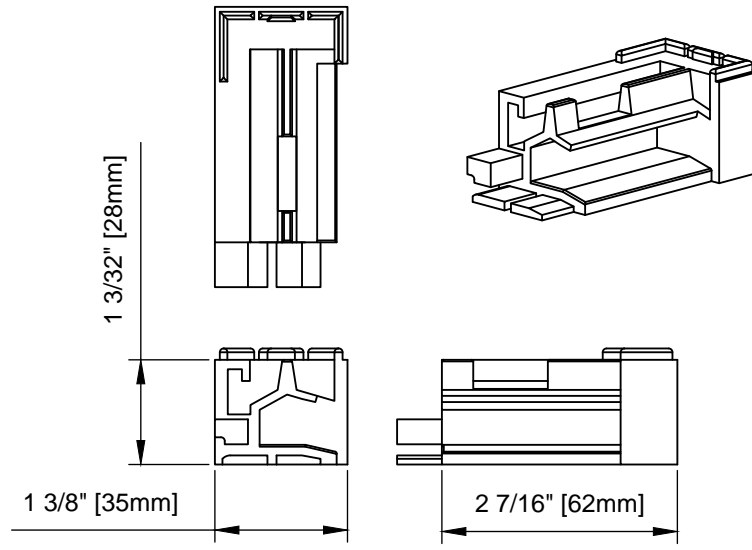


SIDE ELEVATION

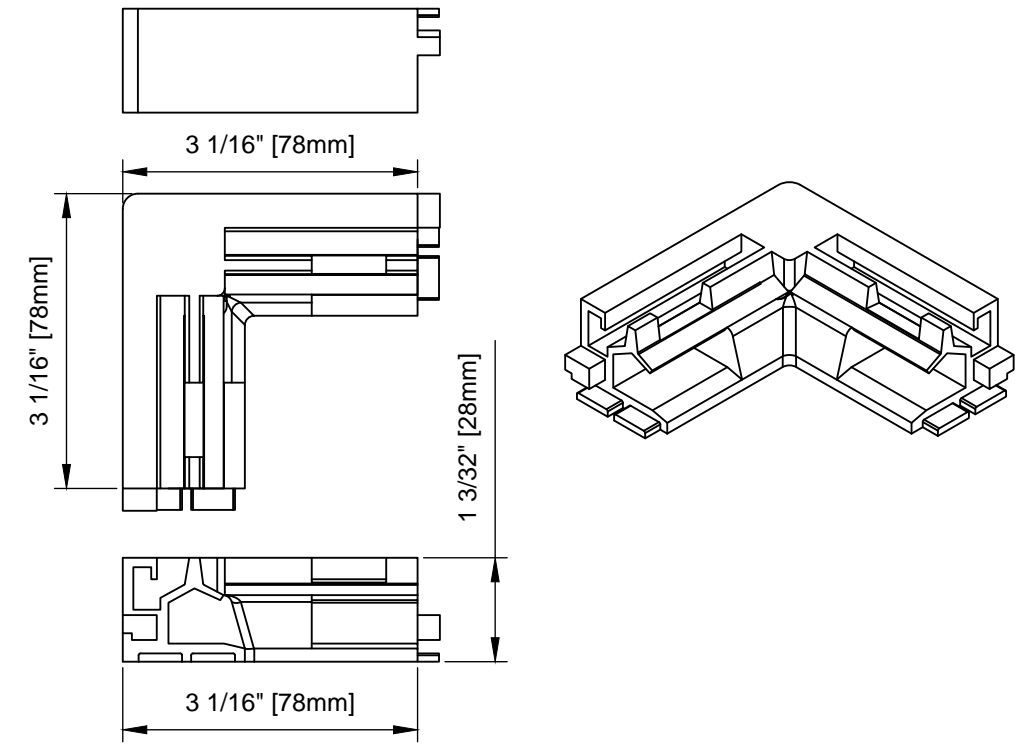
PULLBAR



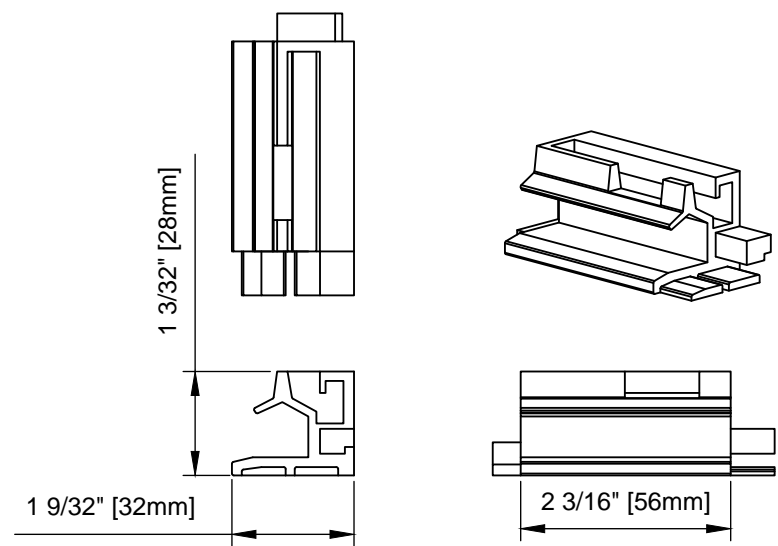
DOUBLE LATCH A



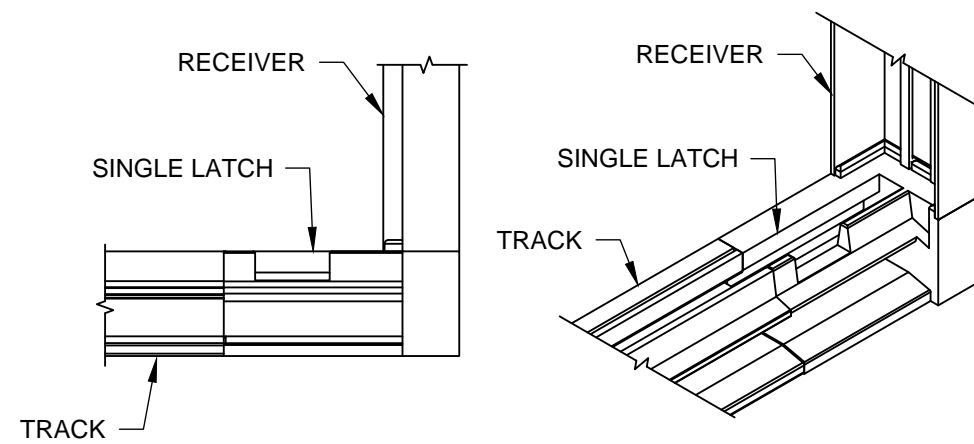
SINGLE LATCH



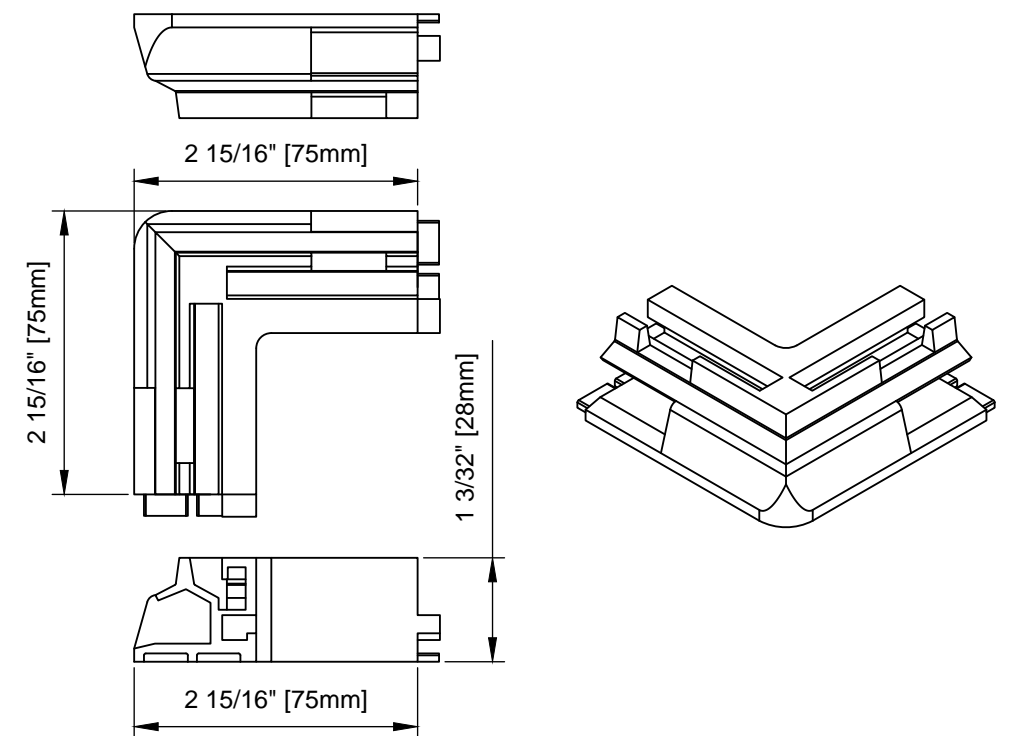
INTERNAL CORNER LATCH



DOUBLE LATCH B



SINGLE LATCH CONNECTION



EXTERNAL CORNER LATCH



WIZARD INDUSTRIES INC.
 4263 PHILLIPS AVENUE
 BURNABY, BC
 V5A 2X4

VISTAVIEW PLUS
 LATCHES

SCALE:
 1:2
 DATE:
 DEC 12 2024
 DWG:
 VVP-002