

# **H**orizon Integrated System

## **Order Measurements**

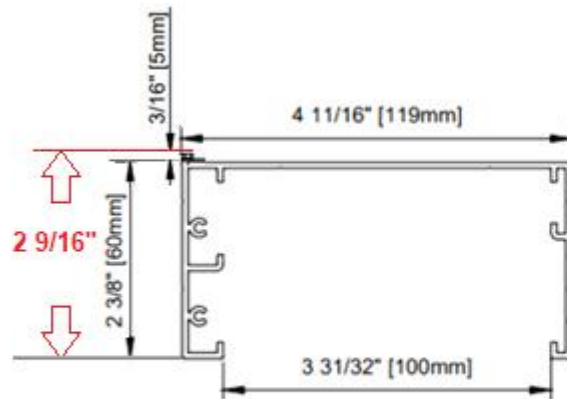
Frames can be:

A) 3-sided – 2 Jambs, Header with Header Insert

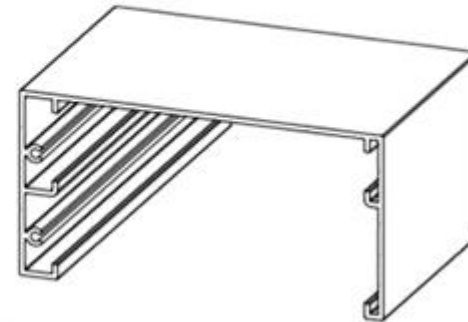
B) 4-sided – 2 Jambs, Header with Header Insert, Sill

The **framed rough opening** should be *minimum ½” larger* than the **4-Sided Integrated Frame Width x Height**

“Top of Frame”  
includes the  
screw heads



CONCEALED HEADER



Frame *must* be installed **plumb, level, straight, parallel, square, and free of twist.**

1. Illustrations are not to scale.  
Drawings .dwg & .dxf: <https://www.wizardscreens.com/technical/>
2. When selecting “Frame and Screen” or “Frame”:  
Entering **FRAME *OUTSIDE* DIMENSIONS** will output the following dimensions in 1/16<sup>ths</sup>:
  - **FRAME *DAYLIGHT OPENING* DIMENSIONS**
  - **SCREEN UNIT DIMENSIONS** (height not shown in illustrations)
3. When selecting “Screen”:  
Enter **FRAME *DAYLIGHT OPENING* DIMENSIONS** in the following way:
  - a) **WIDTH** = round **UP** to the nearest **INCH**
  - b) **HEIGHT** of “**FRAME *DAYLIGHT OPENING***”

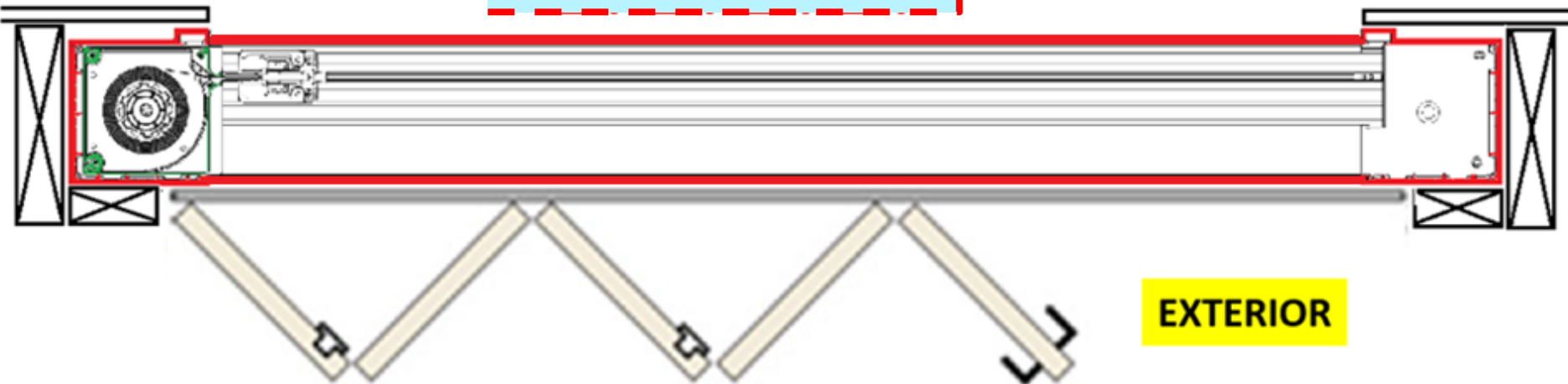
The Horizon Integrated System will only be warrantied and supported for interior applications - *NOT* exterior!

Orientation of **screen** and **frame** in relation to the door.

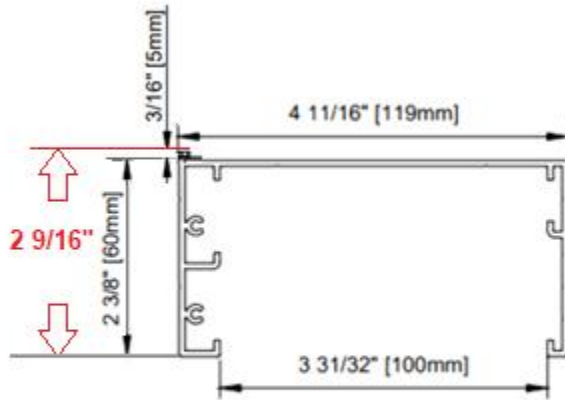
**BIRD'S EYE VIEW**

**INTERIOR**

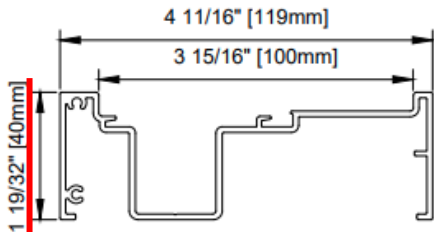
**EXTERIOR**



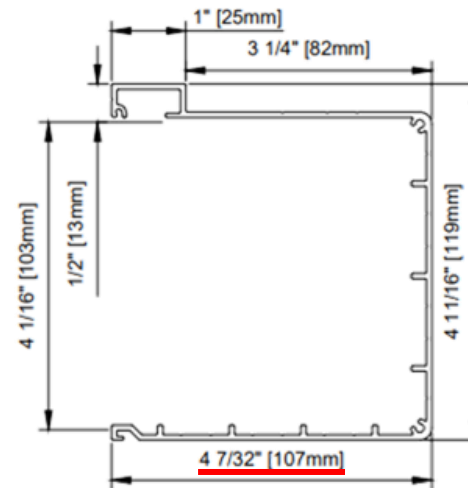
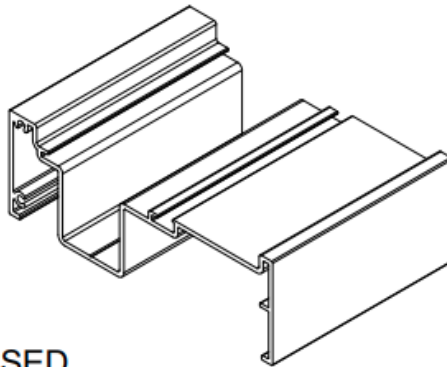
**“Top of Frame”  
includes the  
screw heads**



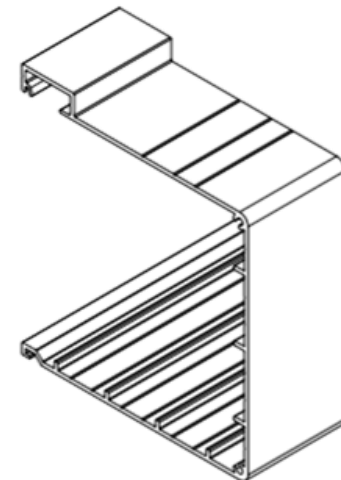
CONCEALED HEADER



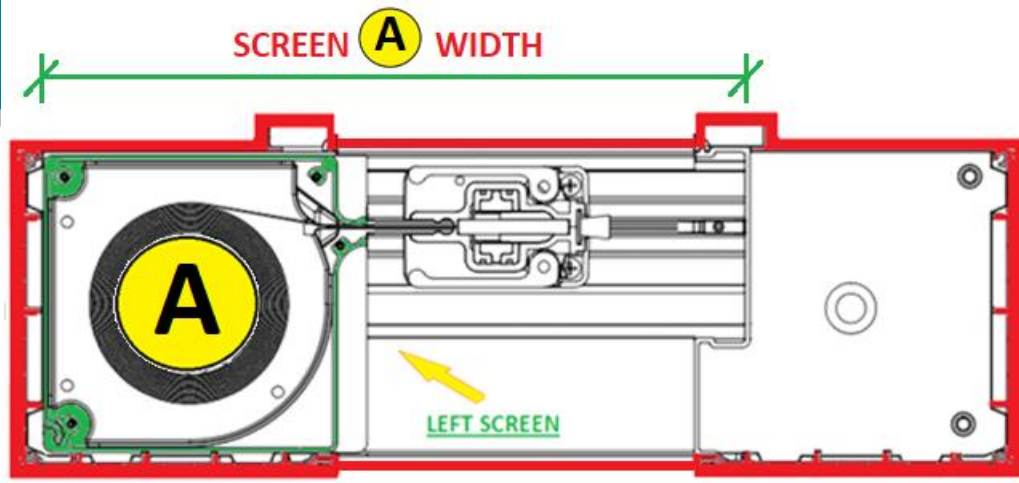
CONCEALED SILL RAISED



CONCEALED JAMB

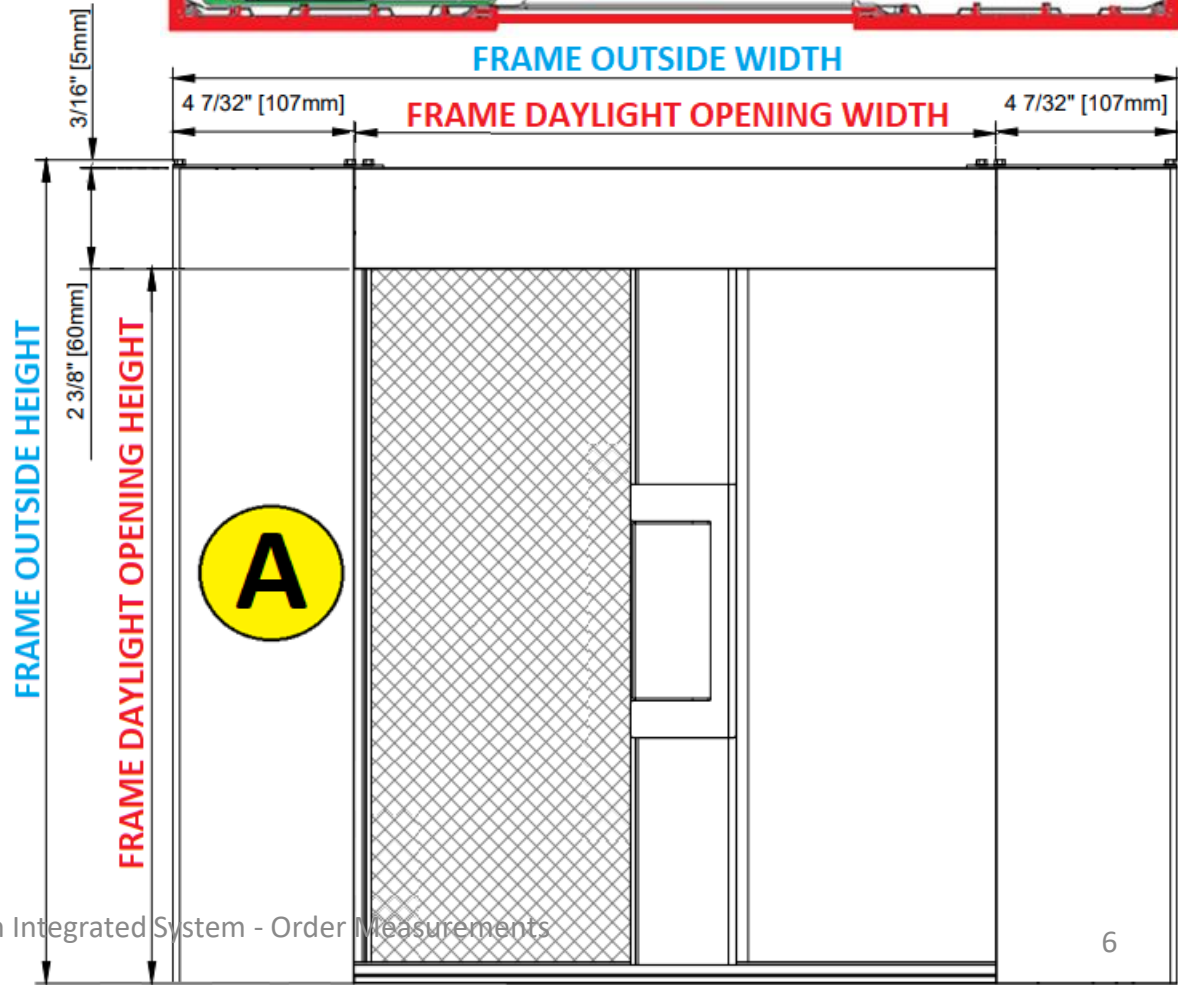


**BIRD'S EYE VIEW**



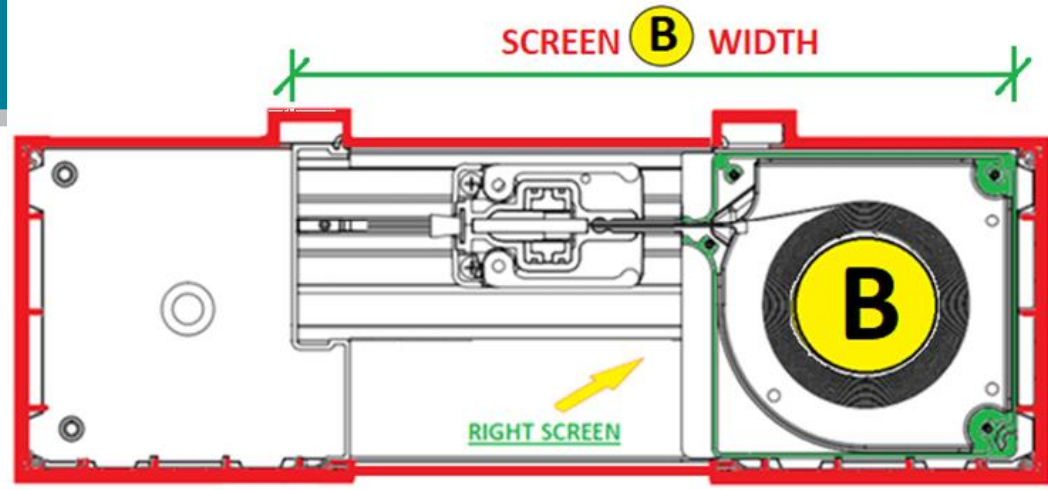
**3-SIDED FRAME**  
Position **A**

**ELEVATION VIEW**

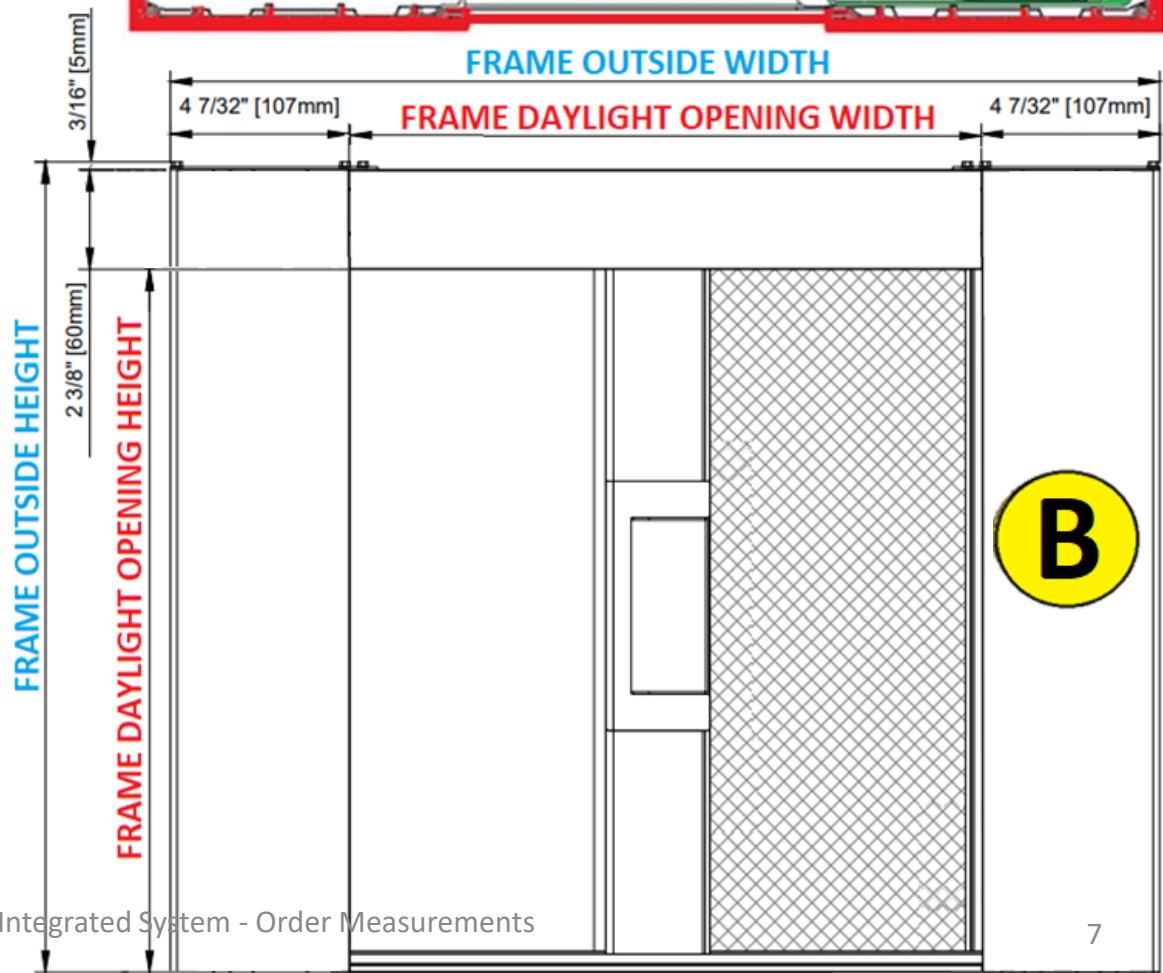


**BIRD'S EYE  
VIEW**

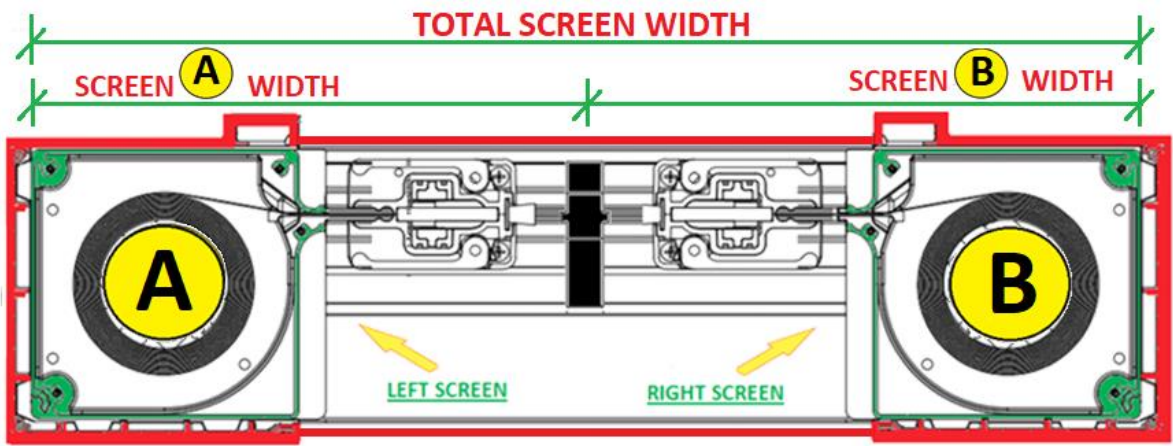
**3-SIDED FRAME  
Position "B"**



**ELEVATION VIEW**



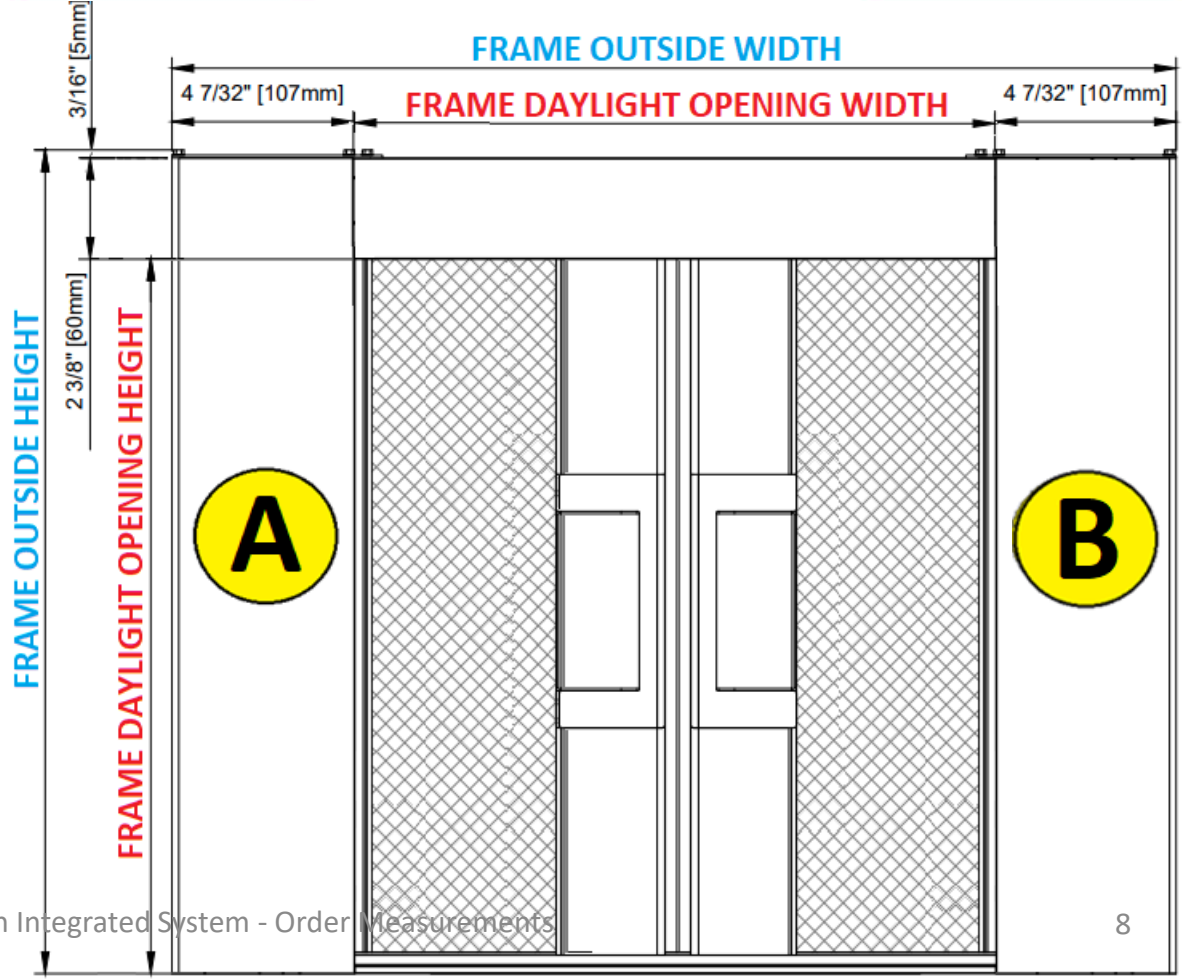
**BIRD'S EYE VIEW**



**3-SIDED FRAME**  
Position **“DOUBLE”**

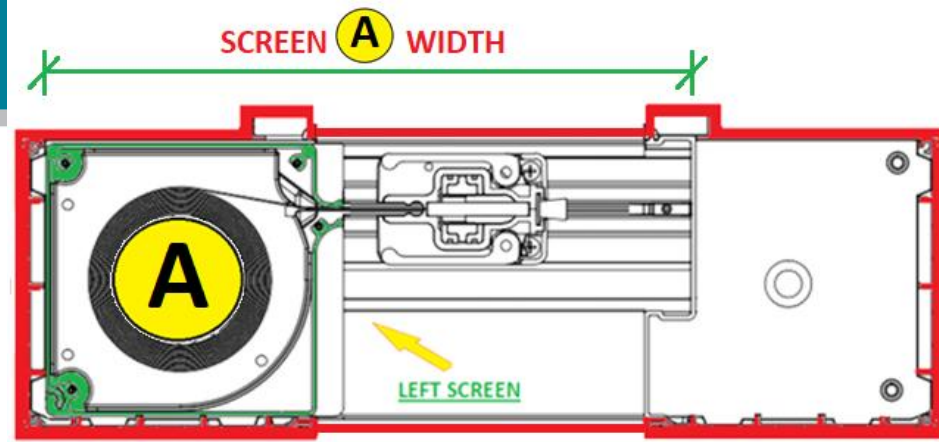
**\*Pullbars meet in the middle\***

**ELEVATION VIEW**



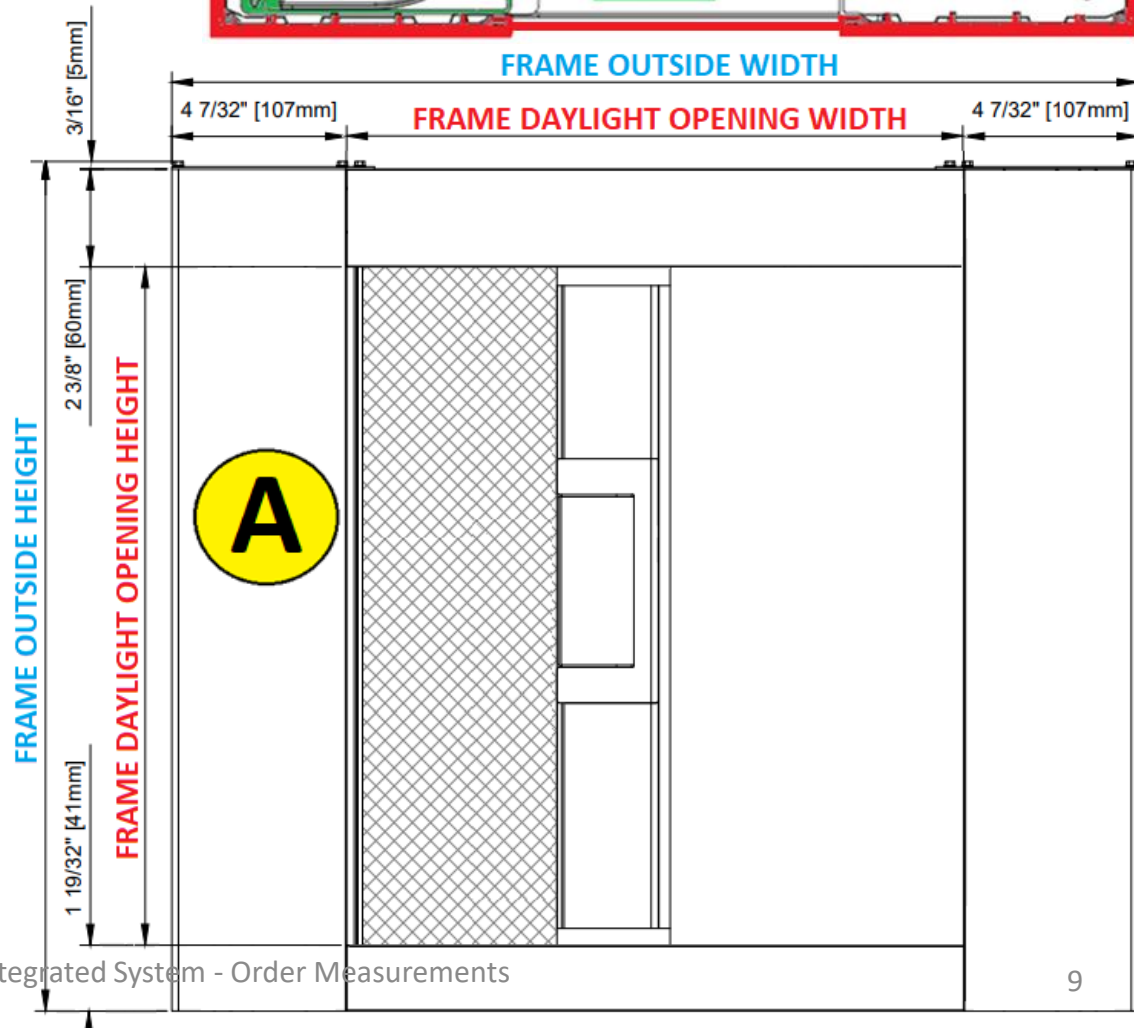


**BIRD'S EYE VIEW**

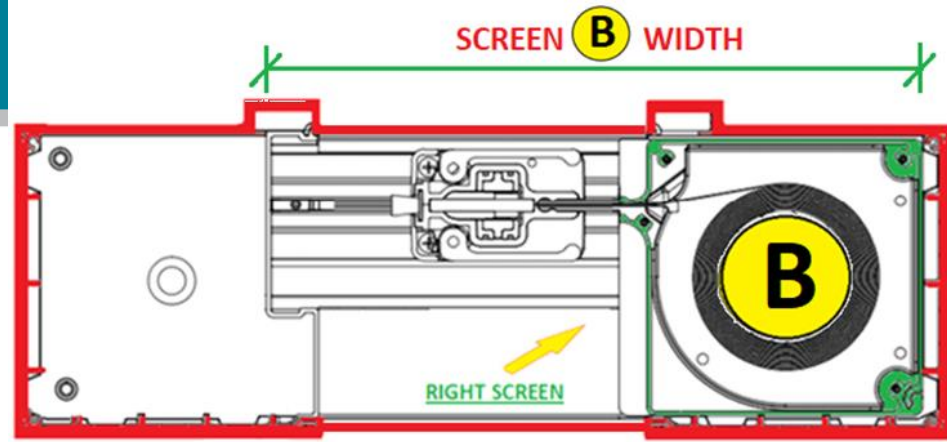


**4-SIDED FRAME**  
Position **"A"**

**ELEVATION VIEW**

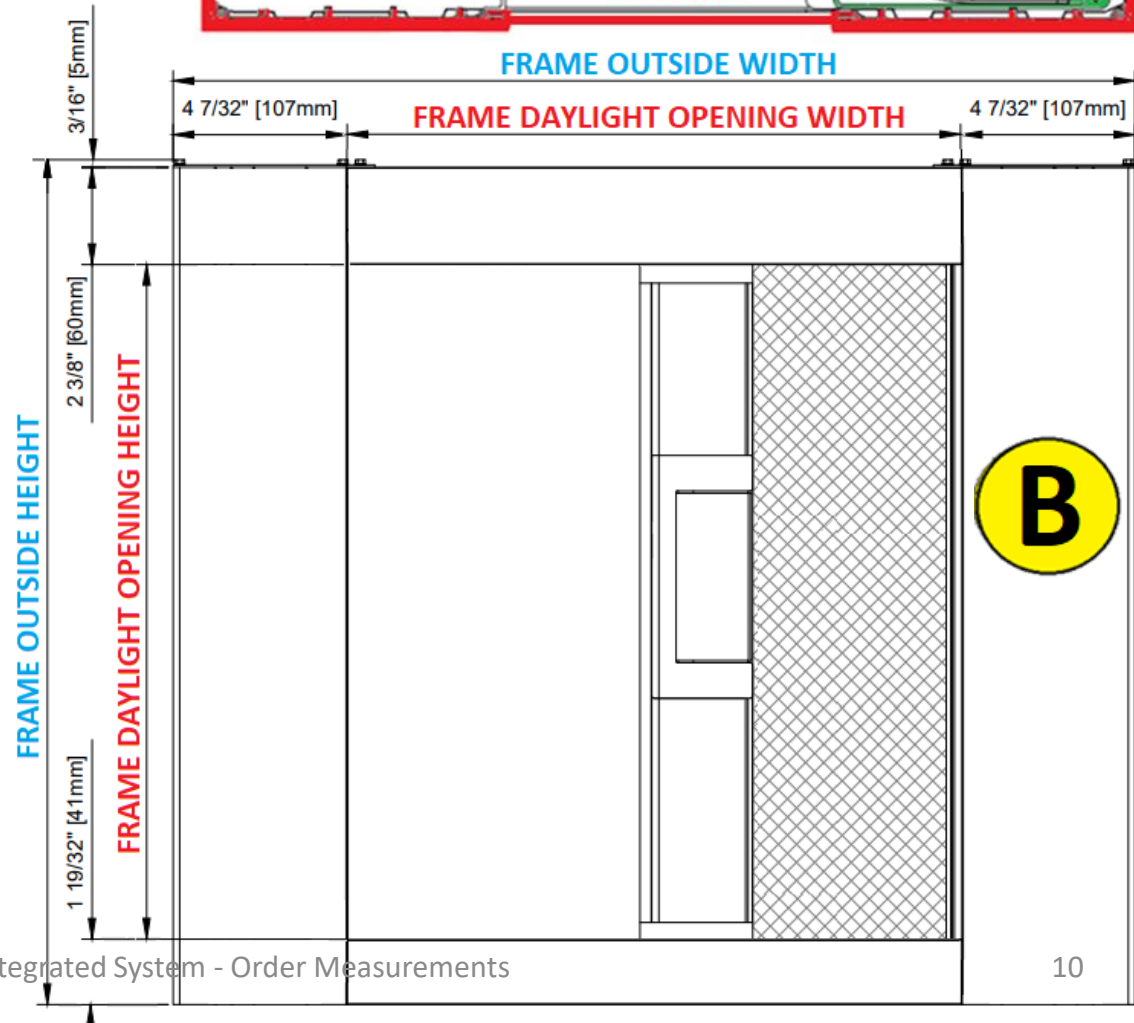


**BIRD'S EYE VIEW**

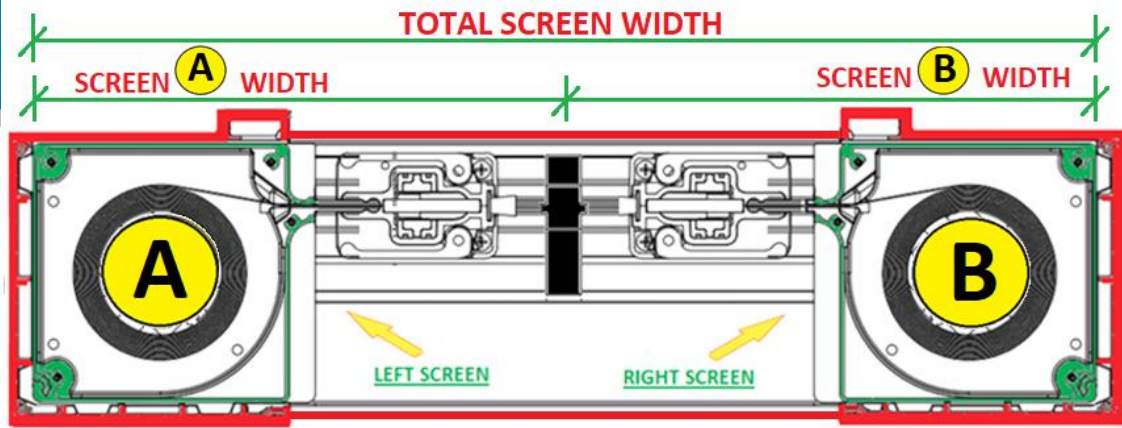


**4-SIDED FRAME**  
Position **"B"**

**ELEVATION VIEW**



**BIRD'S EYE VIEW**



**4-SIDED FRAME**  
Position **“DOUBLE”**

**\*Pullbars meet in the middle\***

**ELEVATION VIEW**

