

SmartScreen Motorized Overview



NEW



Square housing now available. An elegant, modern option.



Self Cleaning brushes maintain the screen.

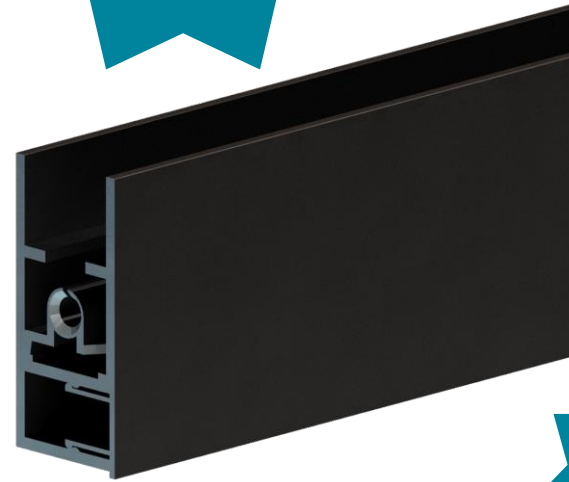


“Mack Daddy Pivot”
A unique, square idler fitting that eliminates annoying, operational chatter.



Environmental Control with solar fabrics.

NEW



somfy®

Alpha
TUBULAR MOTORS LLC

NEW

Somfy and **Alpha** motor options.



Captured Mesh locks your screen in tight within tracks.



Available as a **recessed configuration**, allowing for seamless aesthetics.

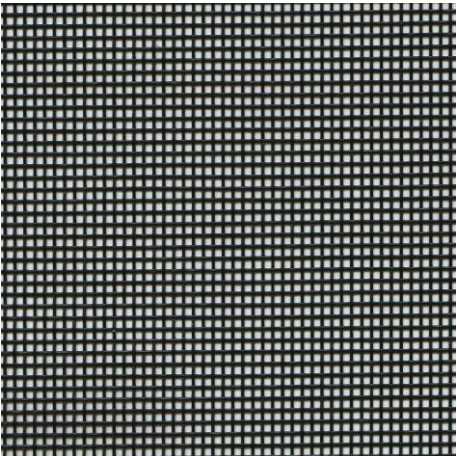
PHIFER

SmartScreen
Motorized

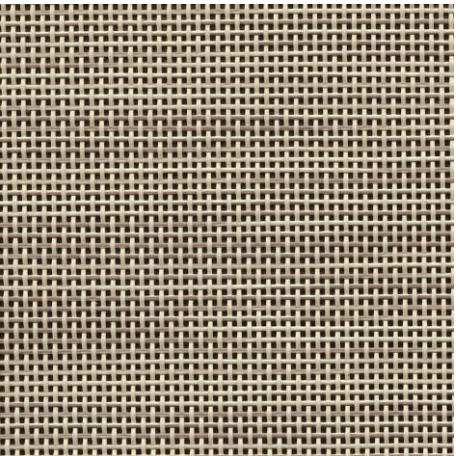
SunTex® 80

BY PHIFER

TuffScreen®
Black



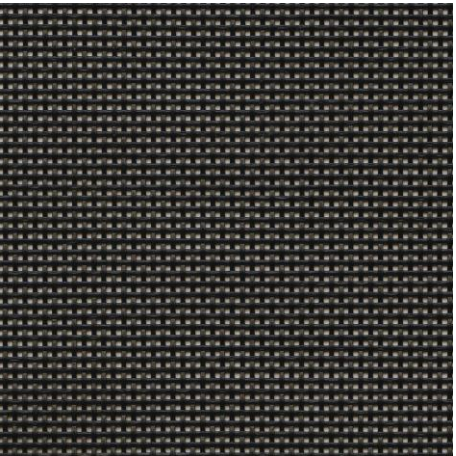
Stucco



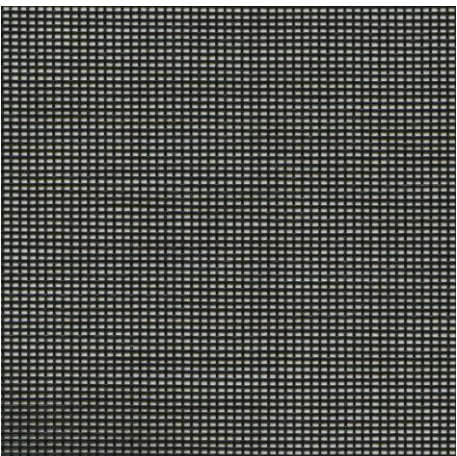
Dark Bronze



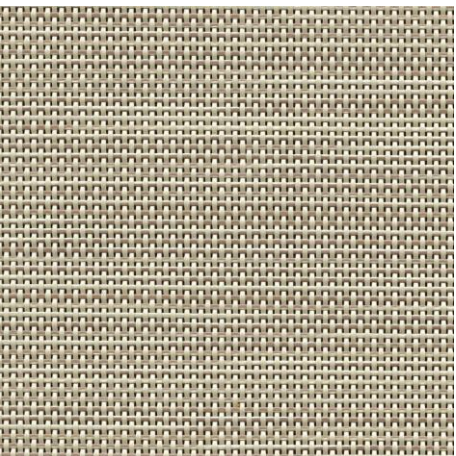
Black



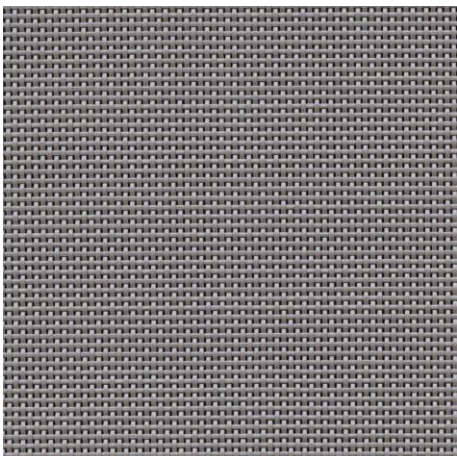
TuffScreen® No-See-Um
Black



Stucco



Grey



Dark Bronze



Black



SunTex® 90

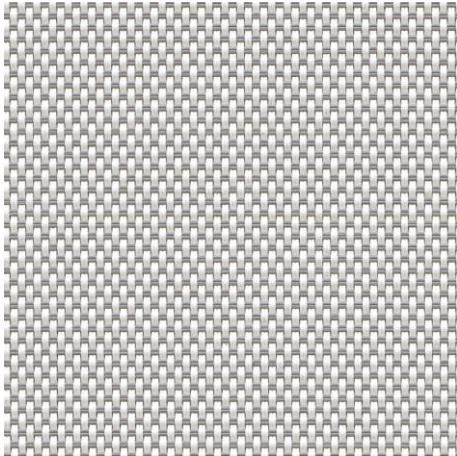
BY PHIFER

SmartScreen Motorized

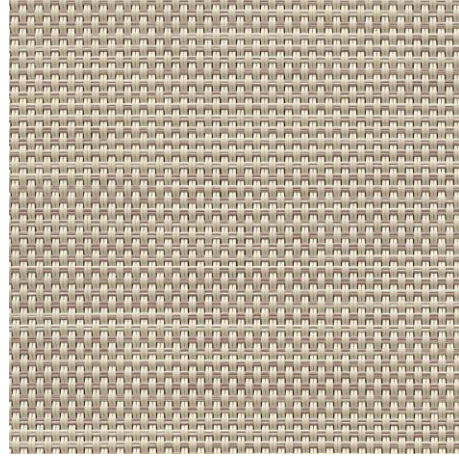
SunTex® 95

BY PHIFER

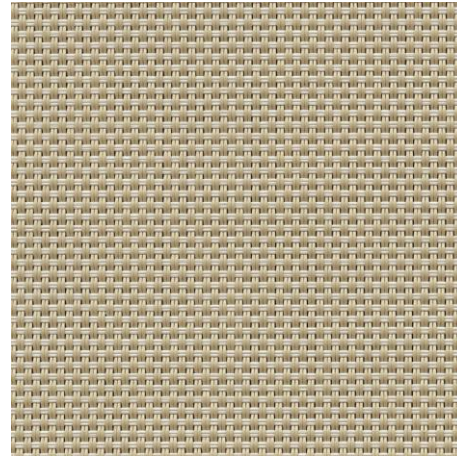
White-Grey



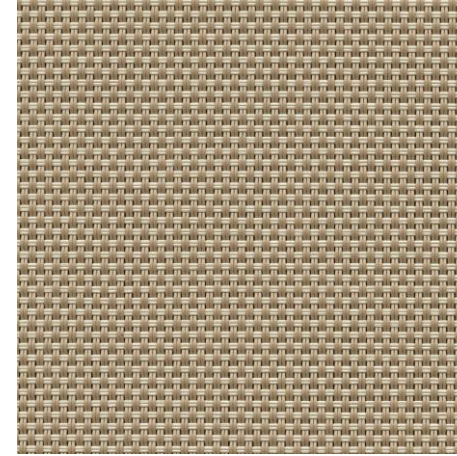
Stucco



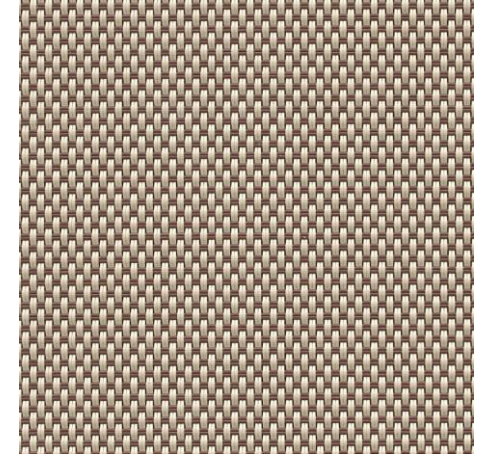
Sand



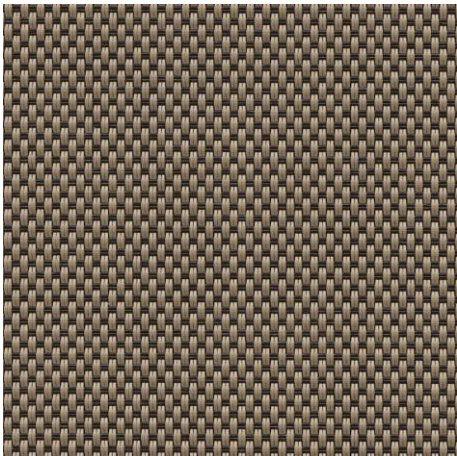
Alpaca



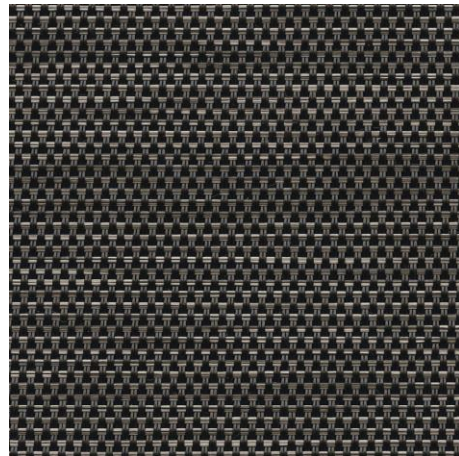
Chestnut



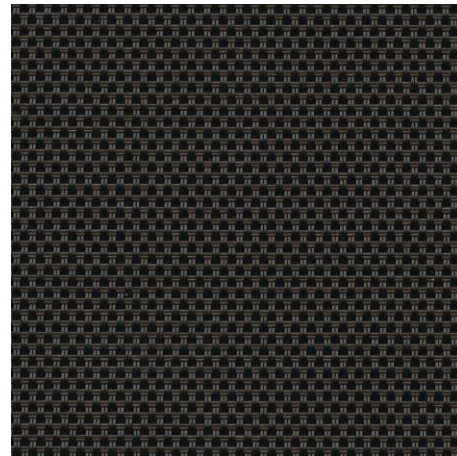
Mocha



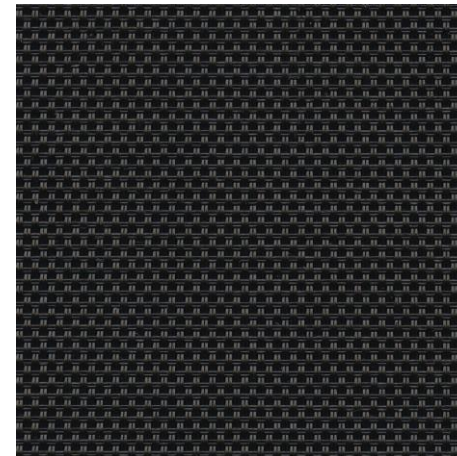
Carbon



Dark Bronze

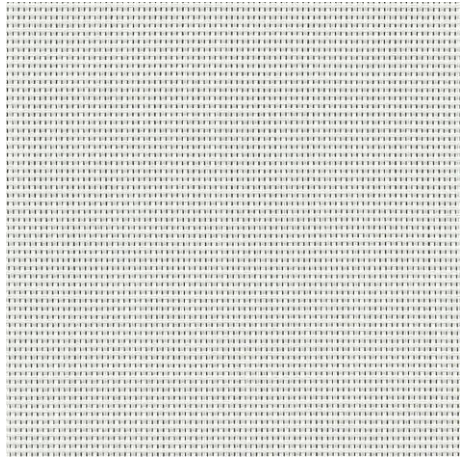


Black



SheerWeave® 2360 3%

P12 Oyster

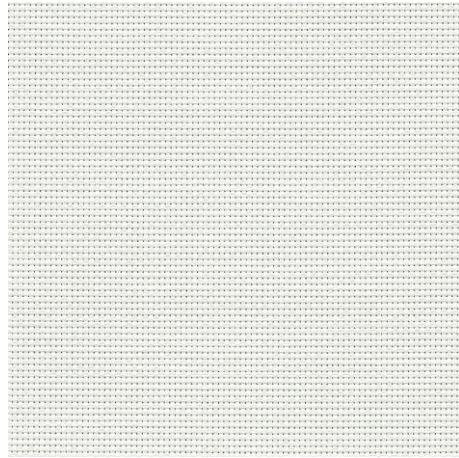


V21 Charcoal

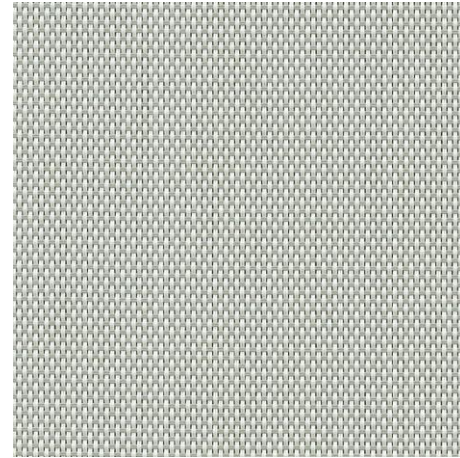


SheerWeave® 2410 3%

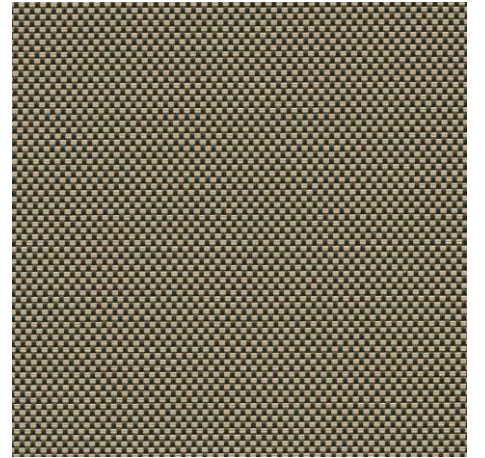
P12 Oyster



P14 Oyster-Pearl Gray

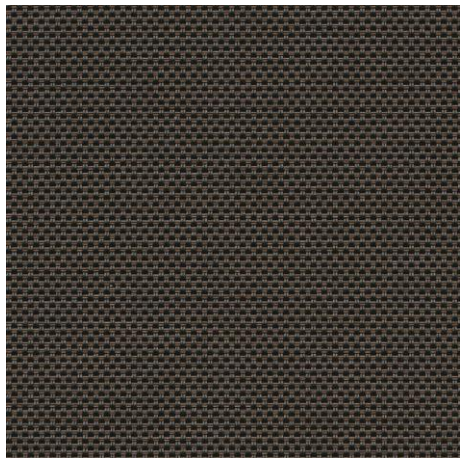


V32 Charcoal-Alpaca

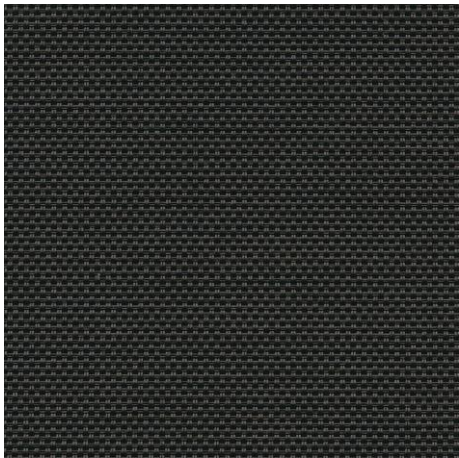


SheerWeave® 2500 3%

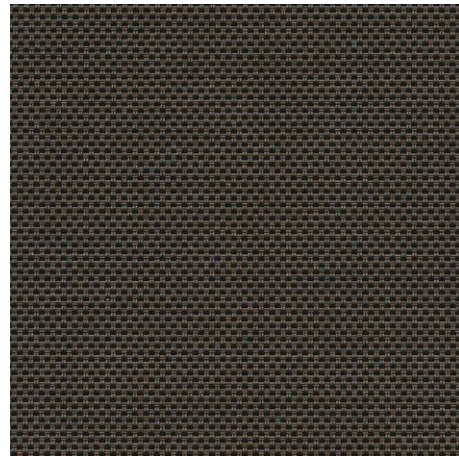
V24 Charcoal-Chestnut



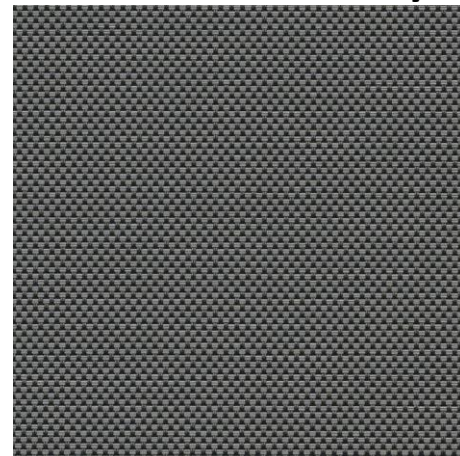
V21 Charcoal



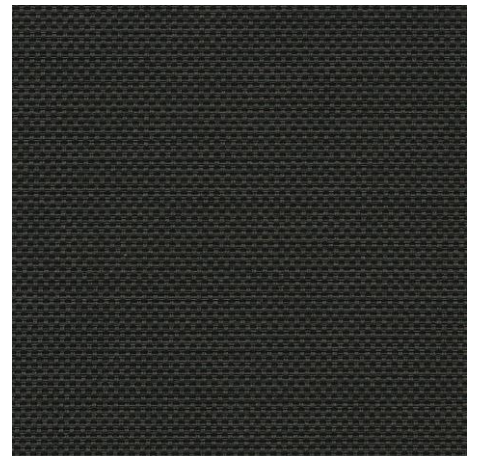
V24 Charcoal-Chestnut



V22 Charcoal-Gray



V21 Charcoal

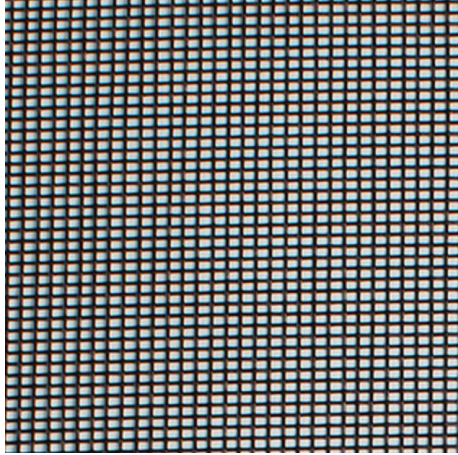




SmartScreen Motorized

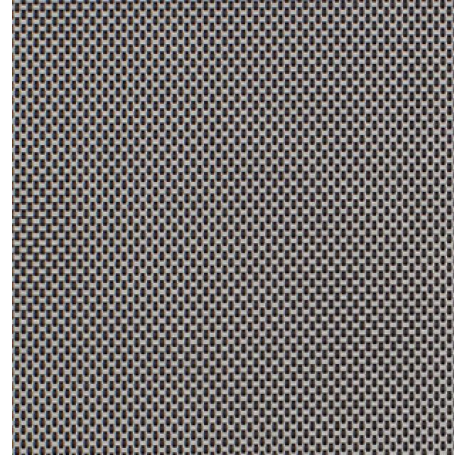
NANO 50 INSECT

Black

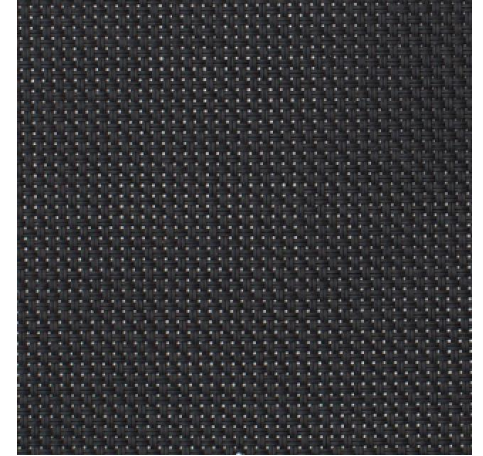


NANO 95

Granite

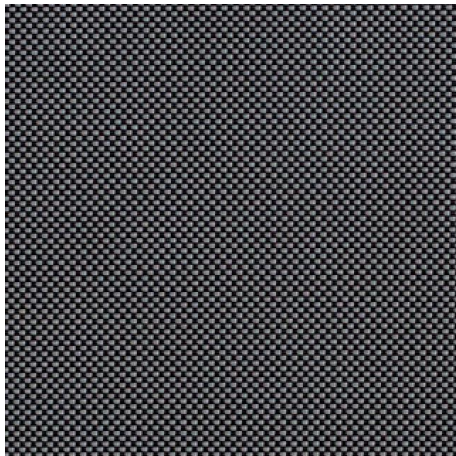


Flat Black

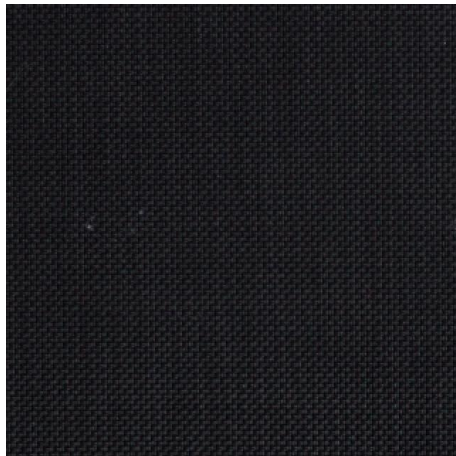


NANO 97

Granite

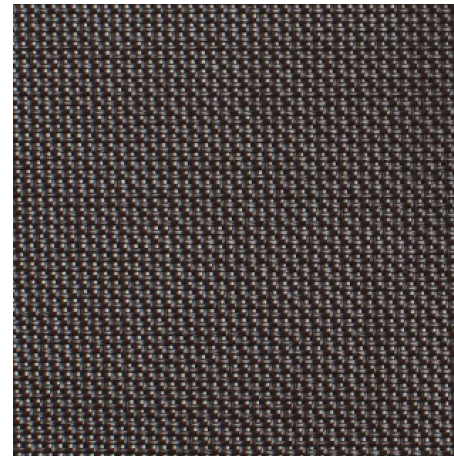


Flat Black

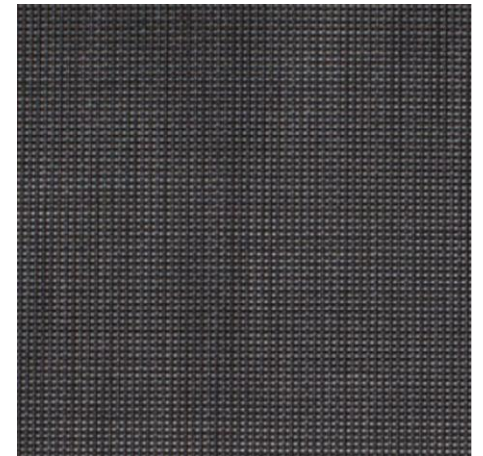


TEXTILENE 90

Brown



Black





SmartScreen Motorized

EXTRUSIONS

White



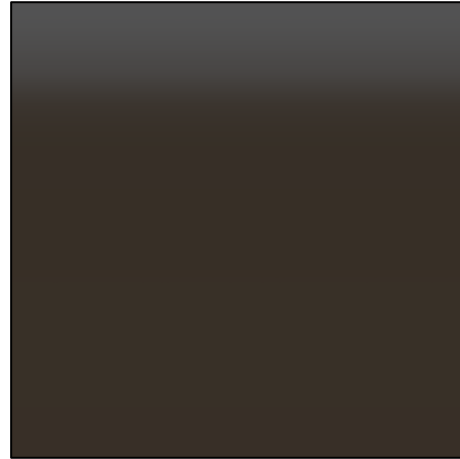
Linen



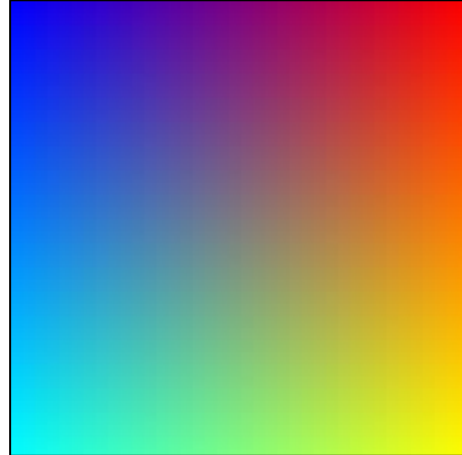
Sandalwood



Bronze



Custom

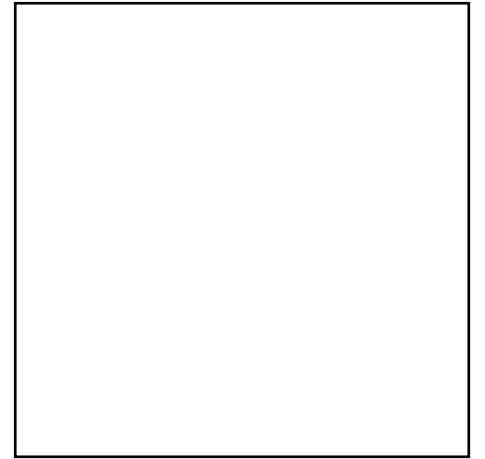


Black

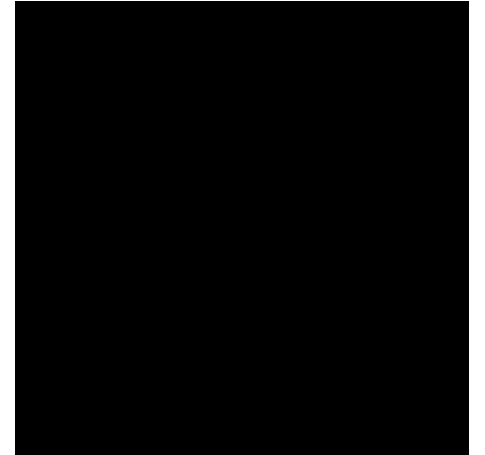


HARDWARE

White



Black



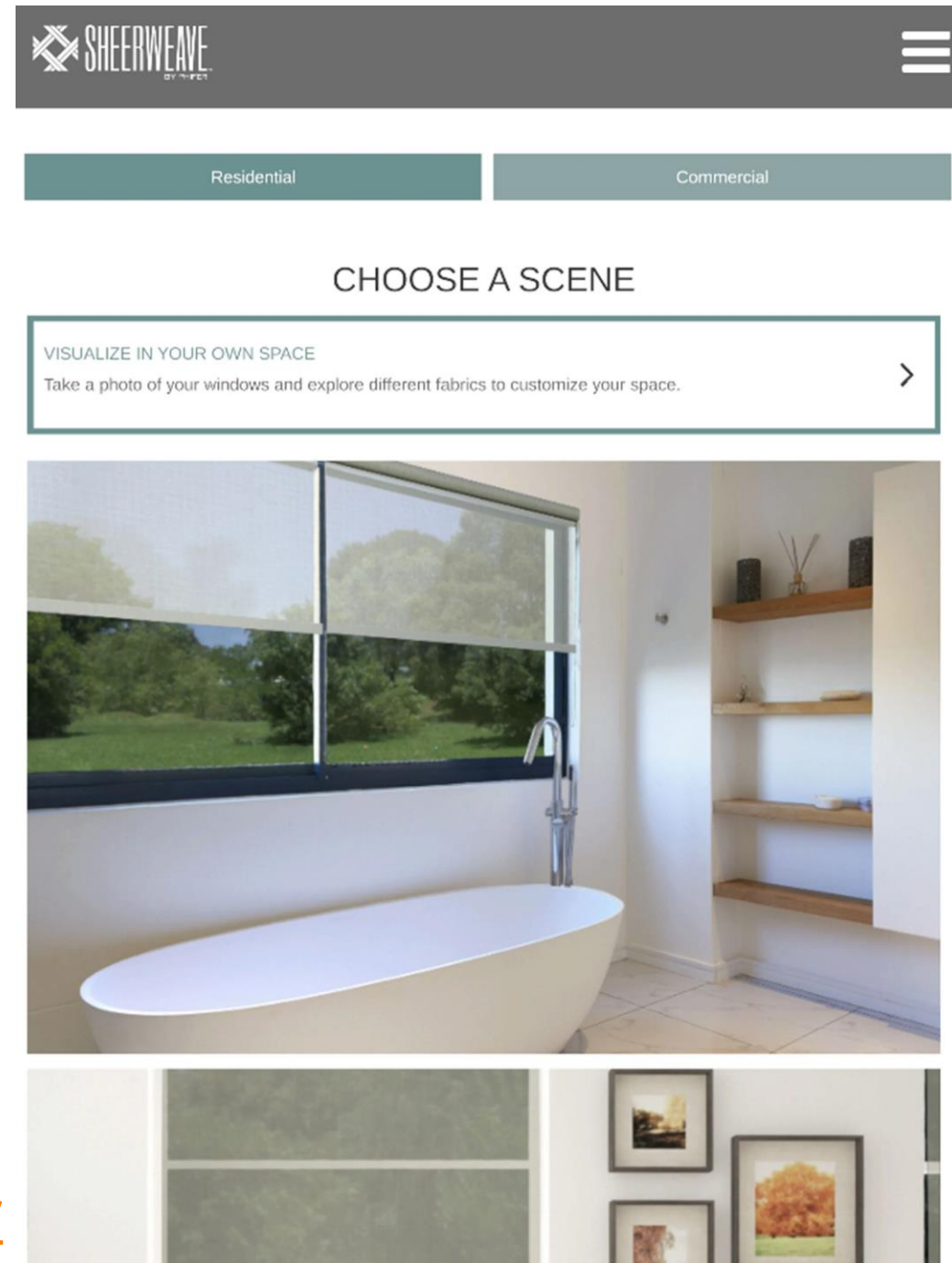
SheerWeave® by Phifer



[SheerWeave App Update Promo Video \(youtube.com\)](#)

[SheerWeave® by Phifer on the App Store \(apple.com\)](#)

[SheerWeave® by Phifer - Apps on Google Play](#)



somfy®

Alpha
TUBULAR MOTORS LLC



Somfy Maestria 50 RTS series



Alpha WSER50 30/21



1



4 + 1 group



16



1



5 + 1 group



Somfy Telis RTS Patio Transmitters

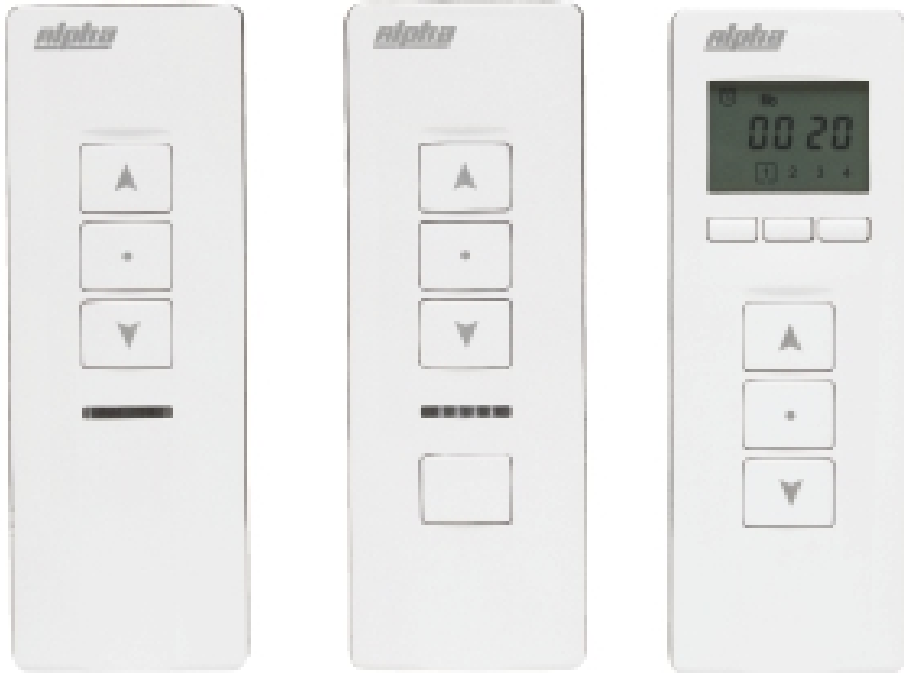
Somfy DecoFlex WireFree™ Surface



1

5 + 1 group

16



Alpha RE300 Series

1

2 + 1 group

8



Alpha RE200 Series

somfy®

alpha
TUBULAR MOTORS LLC



Somfy TaHoma® Switch



**Somfy Eolis RTS
Wind Sensor 24V DC Kit**



Alpha-Neo App



White Cord



Black Cord



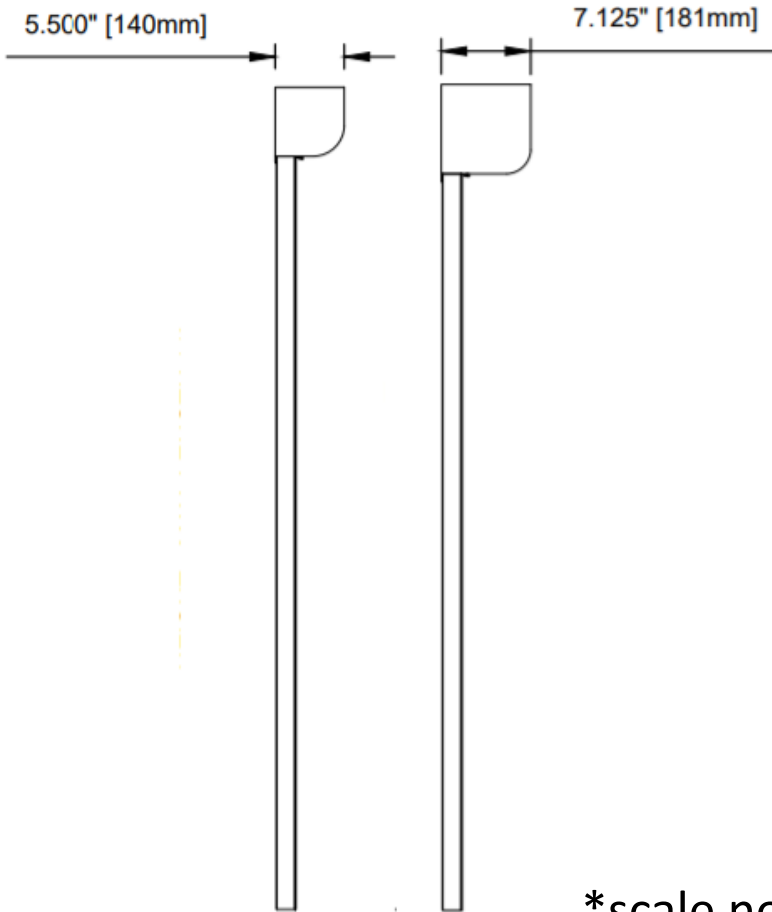
Reset Button



Antenna & Pig-tail Connector

Standard Motorized shown

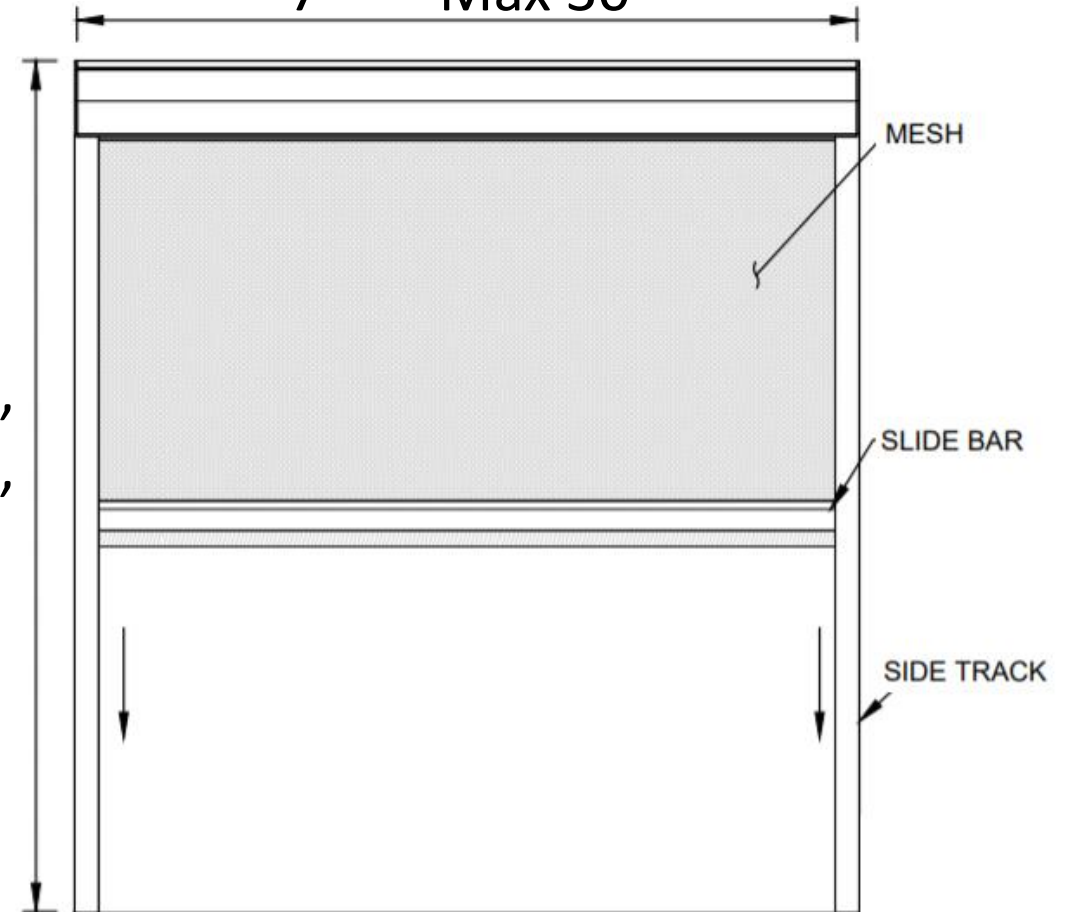
Compact Housings



Large Openings

5 ½" - Max 22' 4"

7" - Max 30'



5 ½" - Max 12'

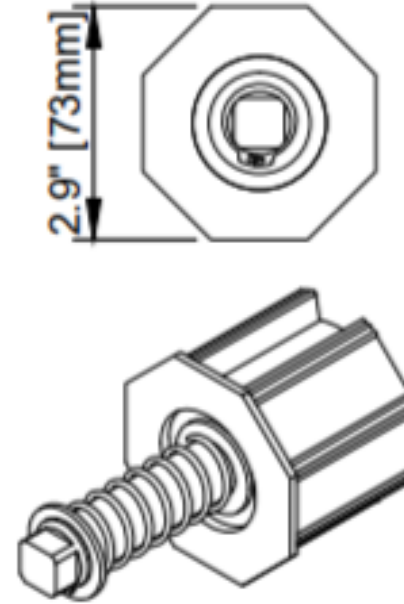
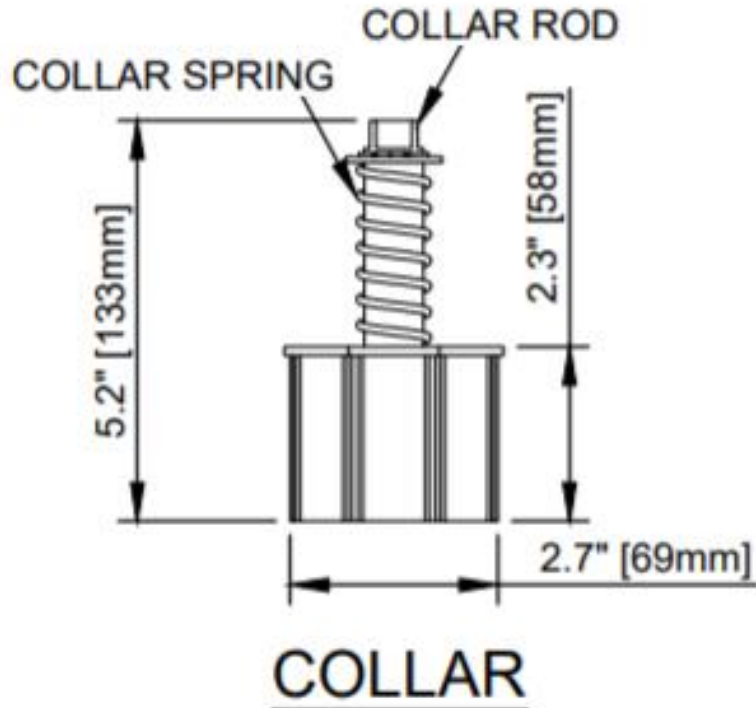
7" - Max 16'

*scale not specified

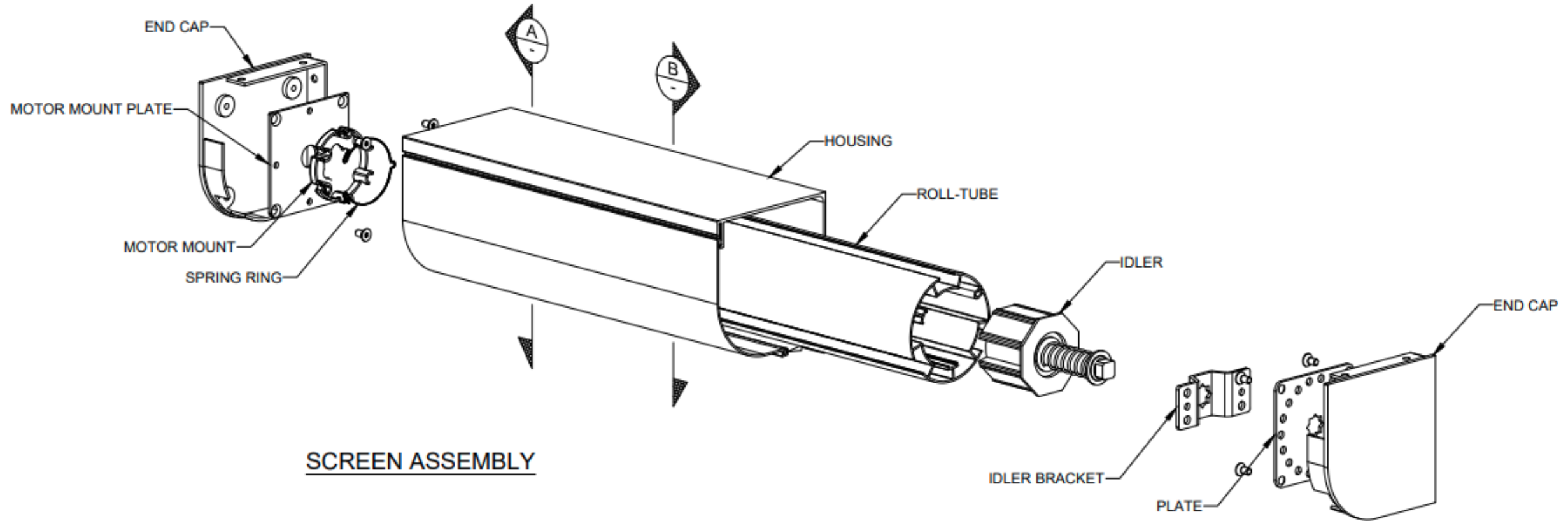
*scale not specified

The Choice of Professionals

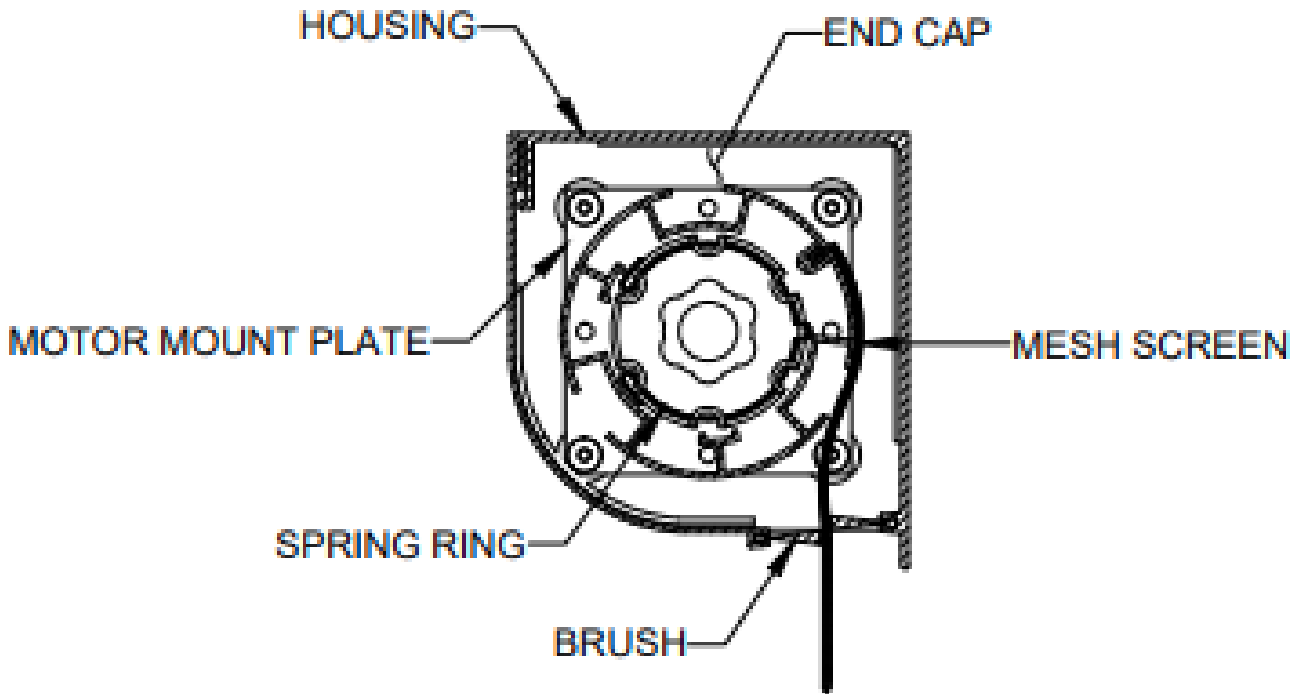
Quiet, No-Chatter Performance



*scale not specified

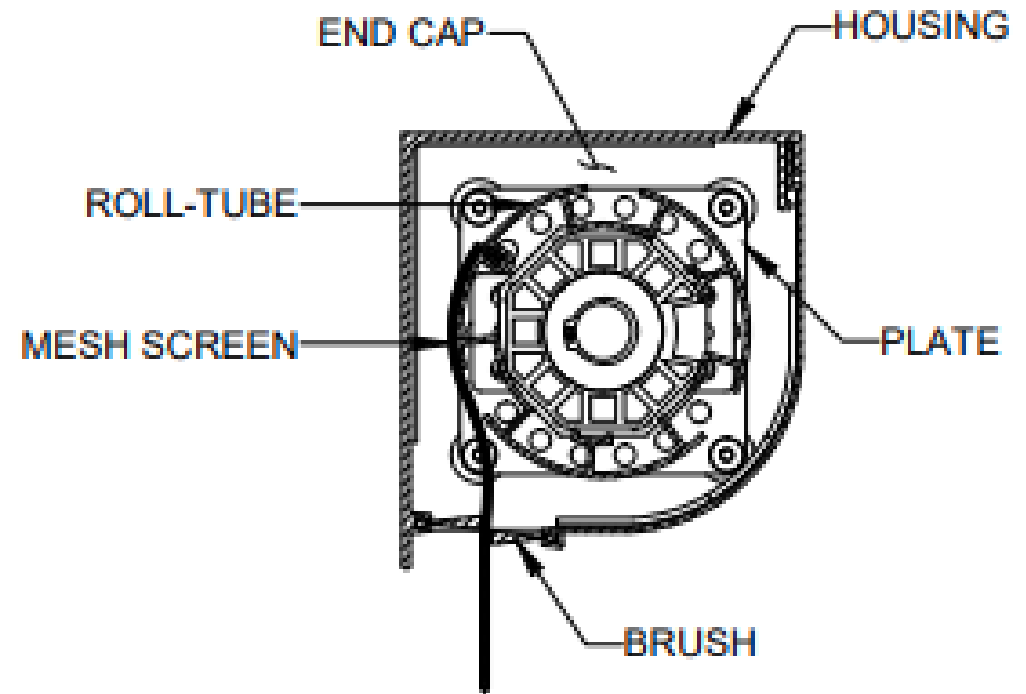


*scale not specified



SECTION VIEW A

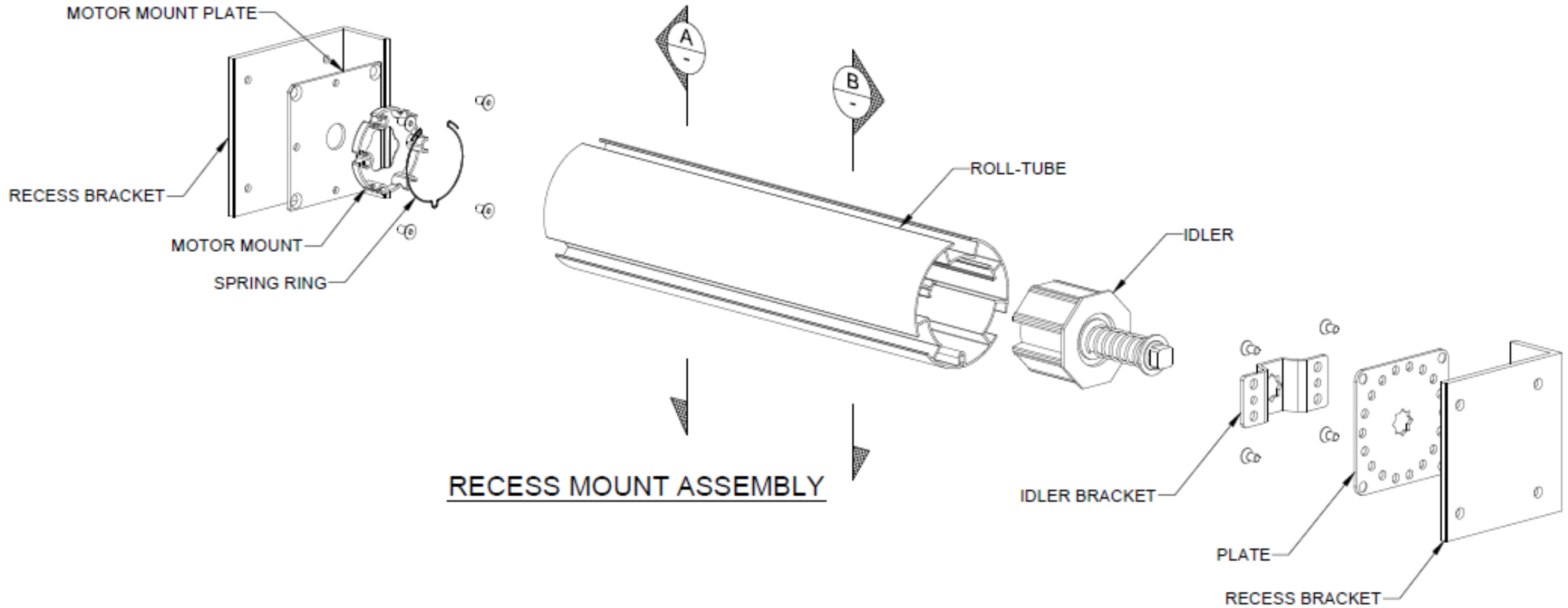
Motor End



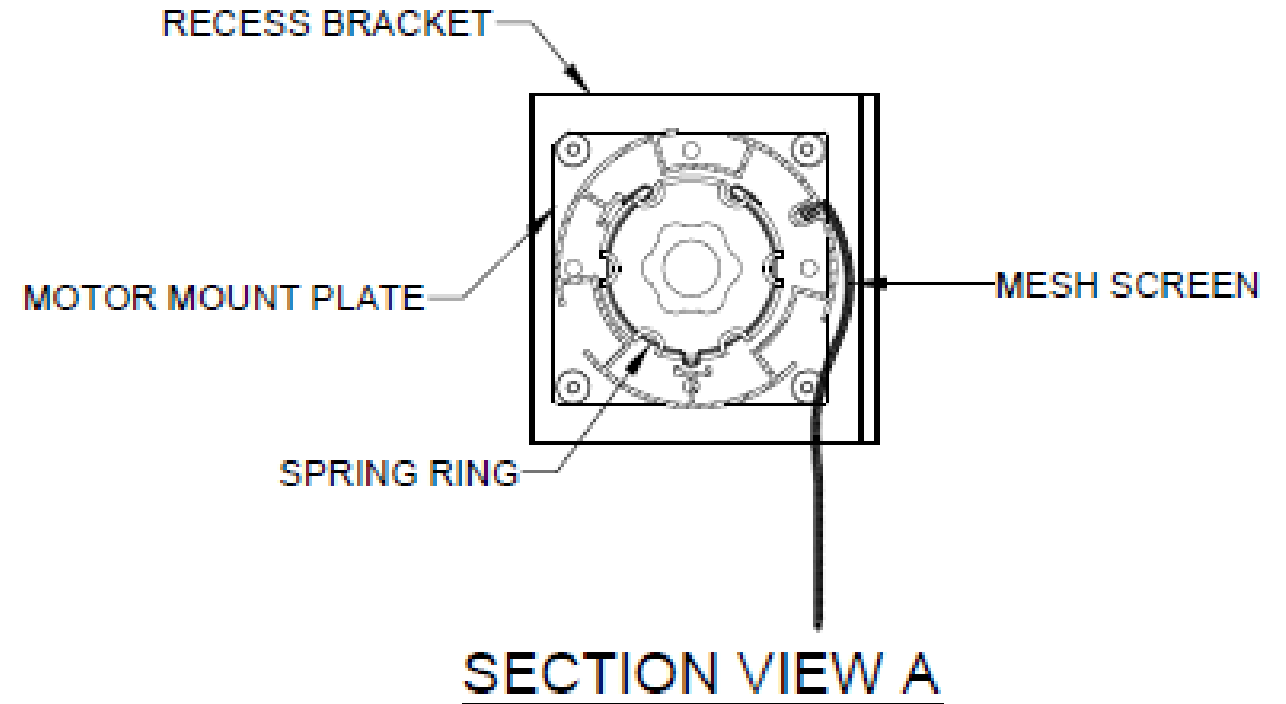
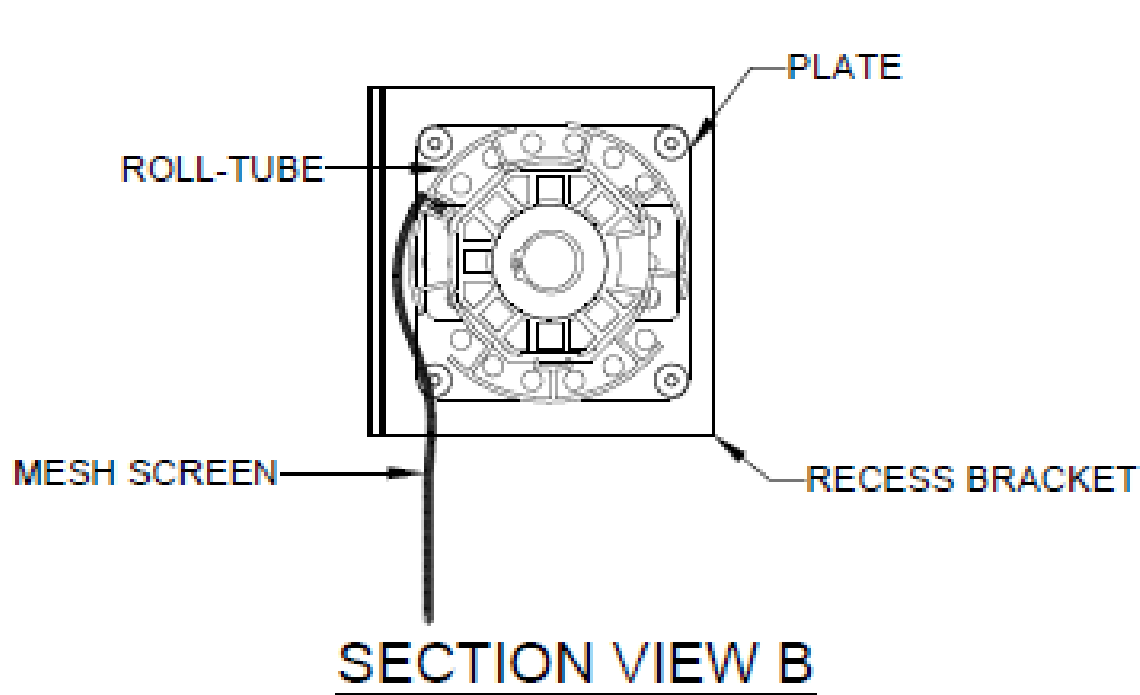
SECTION VIEW B

Idler End

*scale not specified



*scale not specified



[Technical Resources | Wizard Screens](#)
[| Premium Retractable Screens for](#)
[Doors, Windows and Large Openings](#)

Wizard
Screen Solutions

SmartScreen
Motorized