

Horizon

Installation Guide



Minimum 2 installers required

1. Screens are tested prior to packaging.
2. Store screens in original packaging until installation.
3. Inspect all products and components prior to installation.
4. **Photograph and Report** damaged or missing parts *immediately* to orders@wizardscreens.com
5. Install screen *after* door is installed.
6. **Do NOT draw out screen until tracks are installed.**
7. If affixing screen system directly onto door frame and threshold, ensure fastening will NOT negatively impact the performance of the door and hardware. Consult door manufacturer.
8. Do NOT increase tension beyond 5 seconds on SLOW speed.

Spray
tracks *only*
with **dry
silicone.**



If issues arise, first refer to the **Troubleshoot Manual** and the **Maintenance & Service Guide.**

If you *are* a Wizard dealer, you can contact:

support@wizardscreens.com

1-888-949-3667

If you *are not* a Wizard dealer, **contact the point-of-purchase.**

If troubleshooting, do *NOT* increase spring tension until the Troubleshoot Manual steps have been thoroughly reviewed and practiced where applicable.

If it must be attempted, do *NOT* add more than 5 seconds on LOW SPEED. Do *NOT* add tension for units beyond 18' wide.

Otherwise, the spring may break!

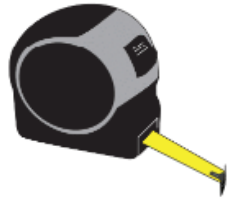
If there are still issues, contact product tech support.

REQUIRED

Level



Tape Measure



Pencil



Mallet



1.5mm Hex Key



#8 Hex Drill Bit



3/8", 9/32",
1/8" Drill Bits



#2 & #1
Square
Driver Bits



Dry Silicone
Spray



Small
Countersink Bit



Flat Pry Bar

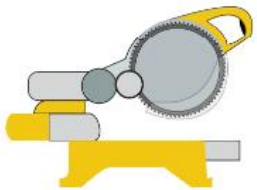


RECOMMENDED

2-way Laser Level Kit



Chop Saw



Drill



Step Ladder



Vacuum



Filer

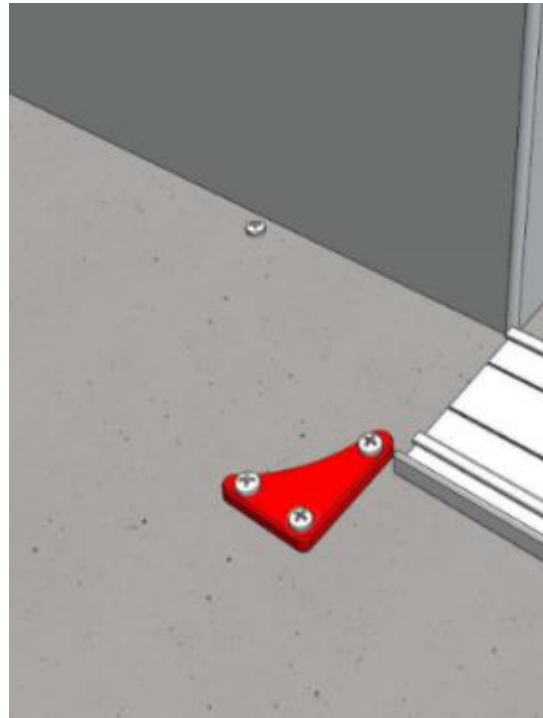
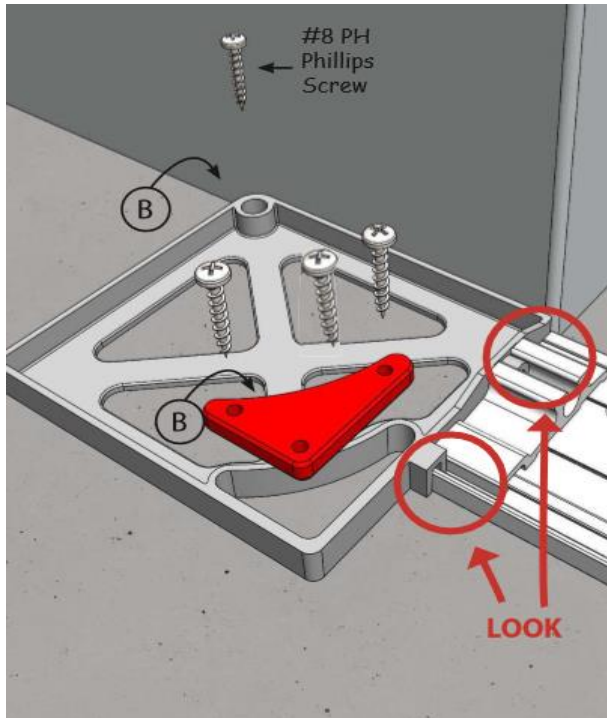


Laser Distance Measure



- 1) Position **alignment jig**.
- 2) Fasten “B” locators in place.

The housing must be able to sit flat and be plumb.

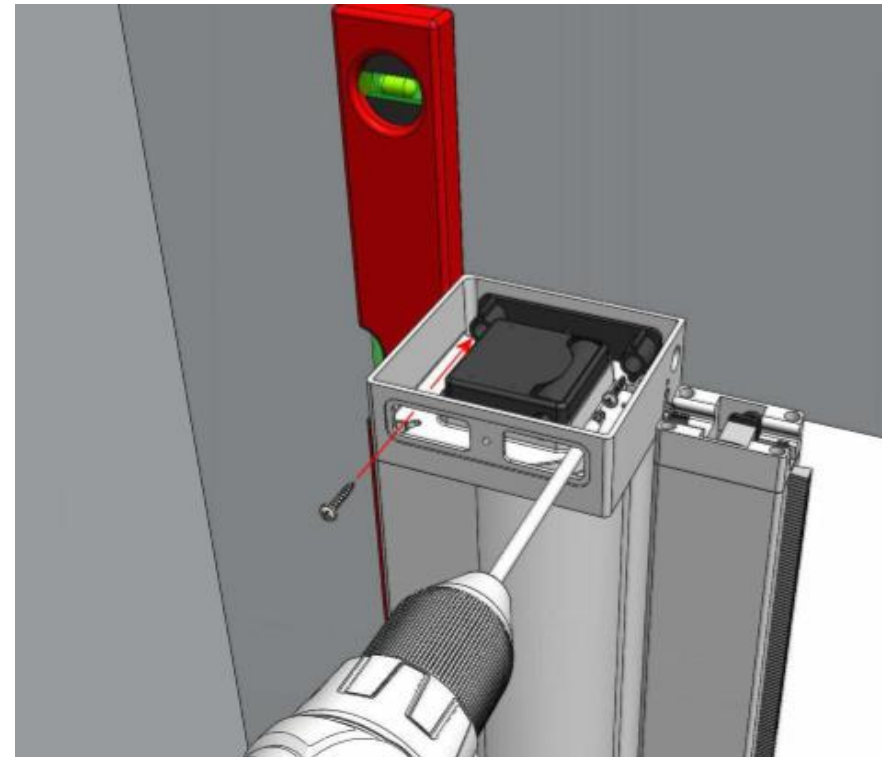
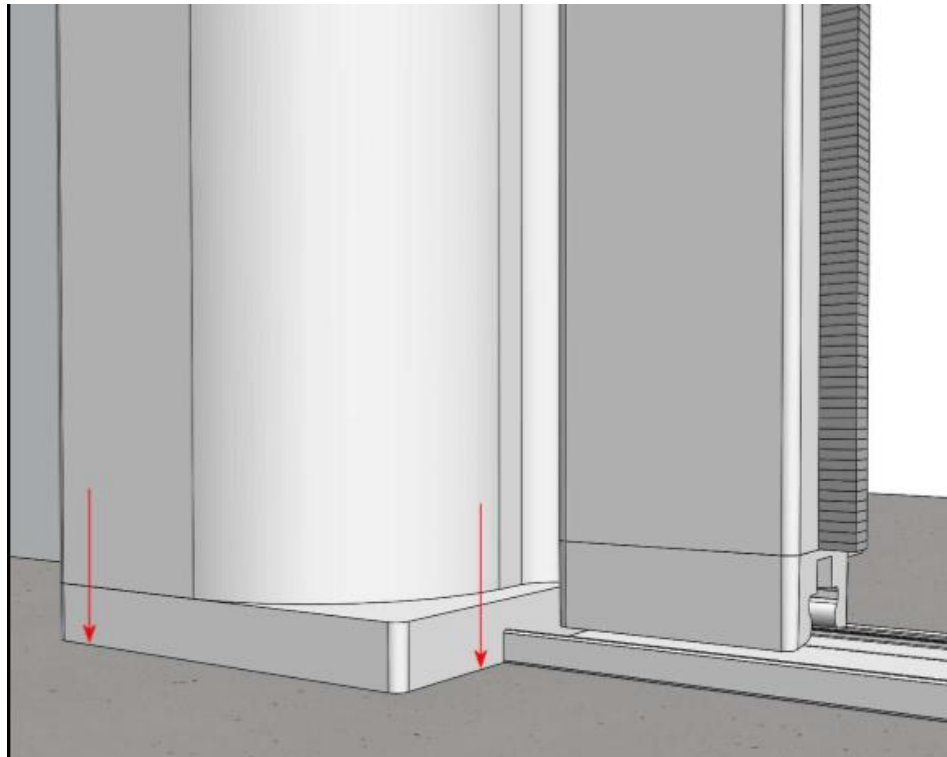


***TIP:** If available, a 6”+ cut-off of an **assembled lower track** will help position the alignment jig. You can then measure from alignment jig to where receiver or corner joiner will be. (see “Measure Tracks” later).

Keep cut-off for future installs.

1. Push **housing** firmly down.
Bottom of both **lower track** and **housing** will have to be even.

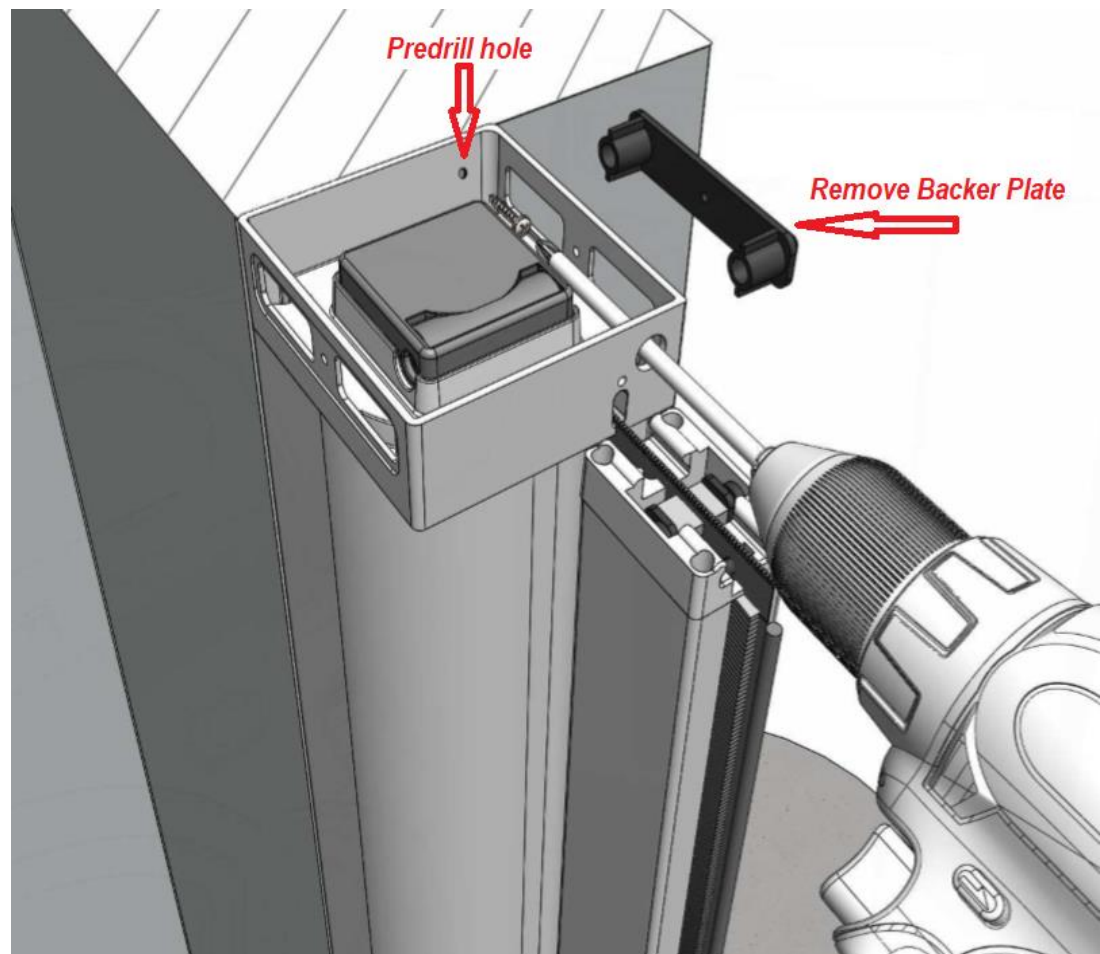
2. Plumb **housing**.
3. Fasten with #8 screws. Ensure **housing** does *not* twist when doing so. Relieve if necessary.



The housing must sit flat and be plumb both ways.

1. Remove the **backer plate**.
2. Predrill a hole through the **housing endcap**.

*NOTE: Horizon 80 *cannot* be mounted this way. Only as per previous page.

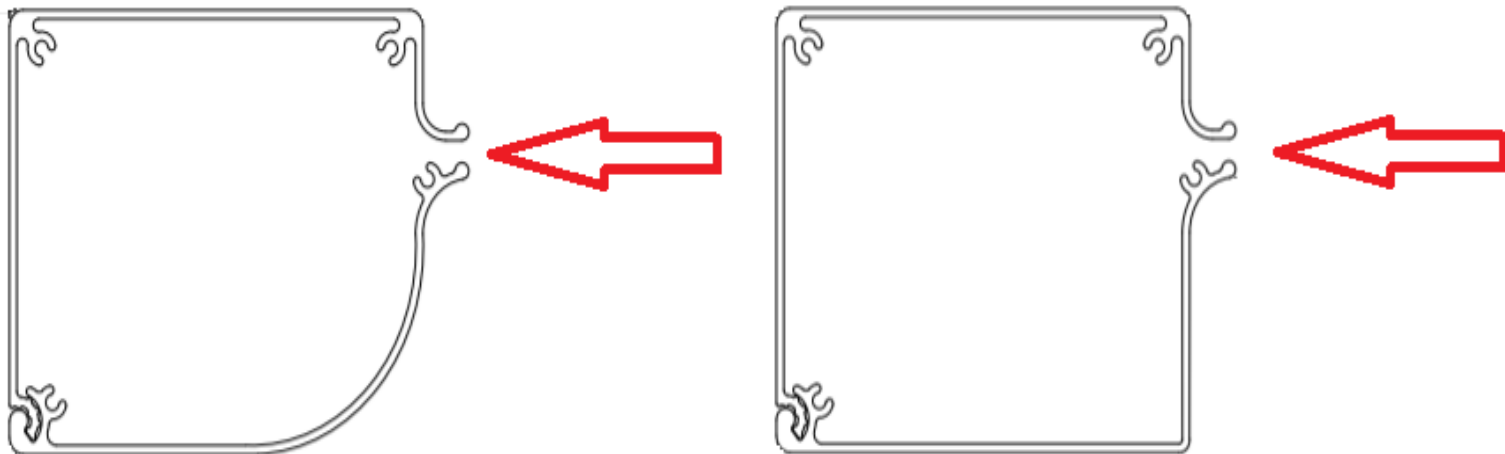




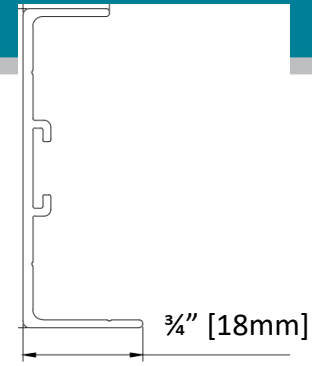
Check housing **mesh slot** – if the housing has been twisted or forced into the opening during the install, the **mesh slot** may get squeezed *smaller*. This will prevent the screen from operating smoothly or at all. If twisted, *relieving* the **housing screw** may help.

If necessary, re-install the **housing** with this consideration. If unsuccessful, you can try to increase the **mesh slot** gap (see **Maintenance & Service Guide**)

Do NOT draw out screen until tracks are installed.



Measure and record **shortest width** measurement.
If face-fit, add $\frac{3}{4}$ ".



or Housing

SINGLE Screen

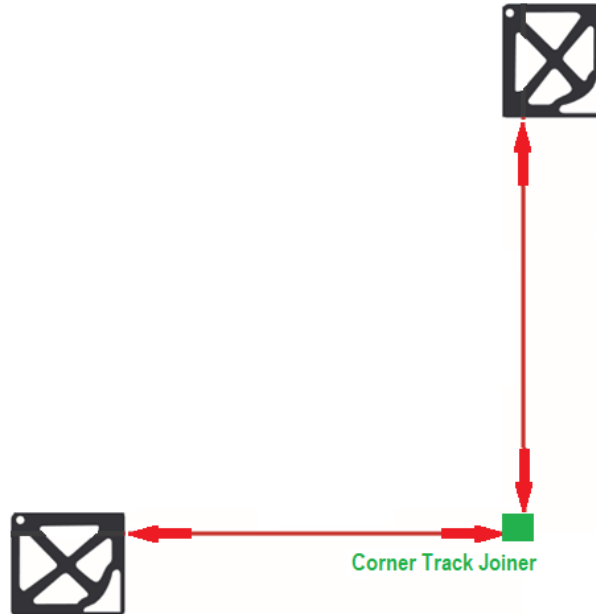


Can be offset
or centered

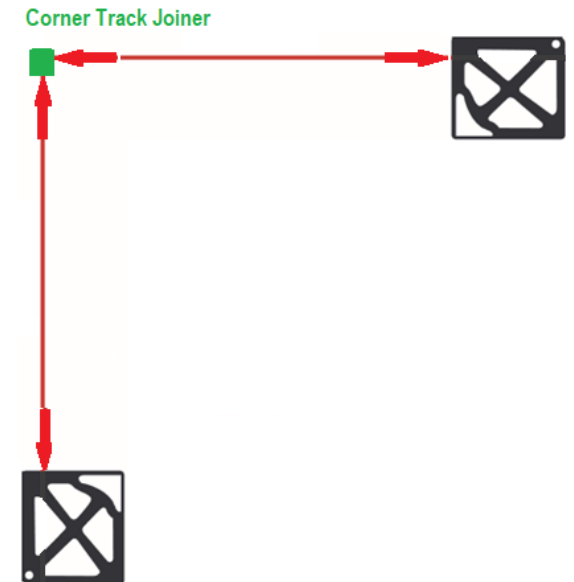
DOUBLE Screen



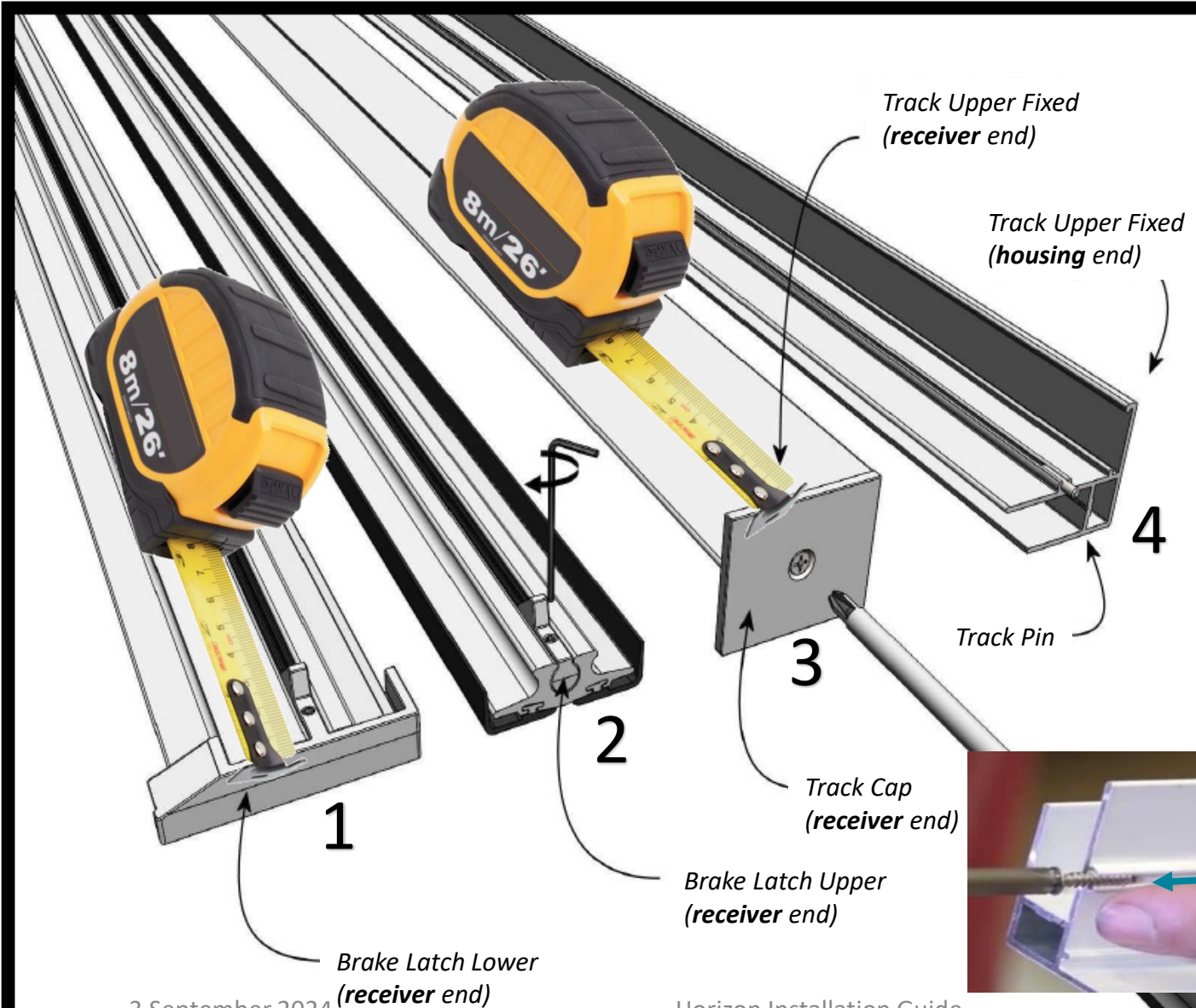
External CORNER Configuration



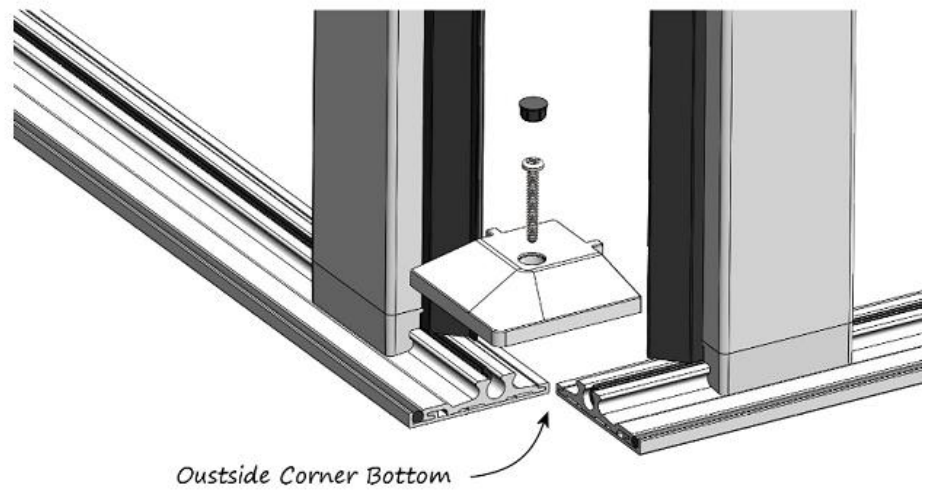
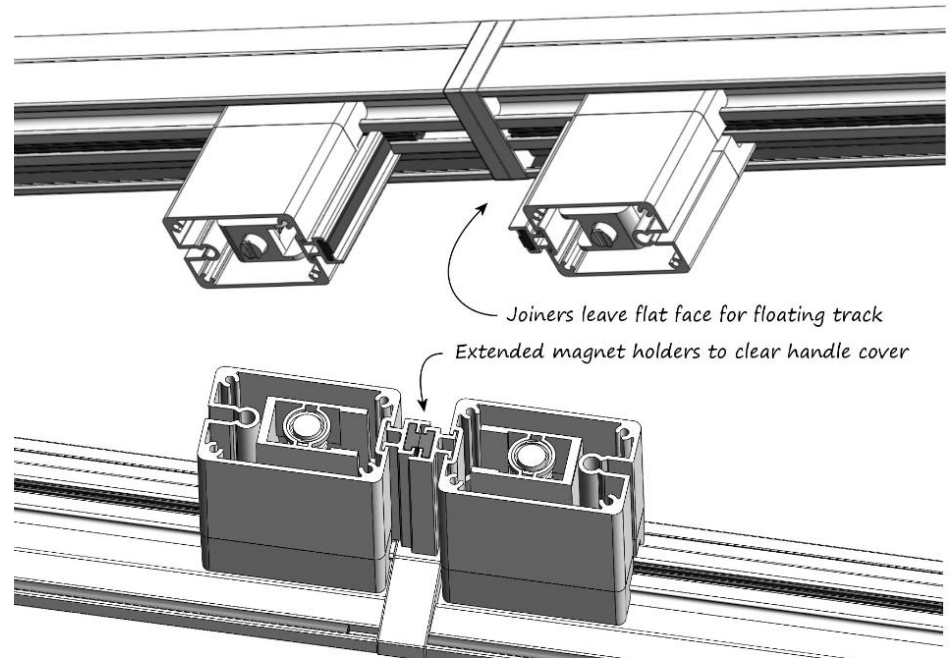
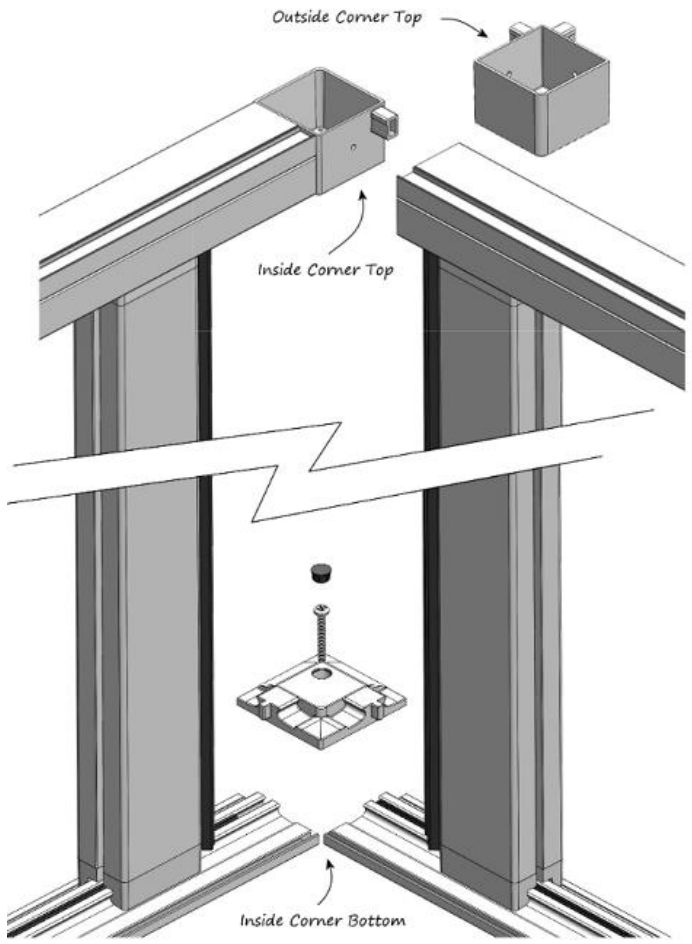
Internal CORNER Configuration



**Upper & lower tracks
must be cut to the
same length per unit.**

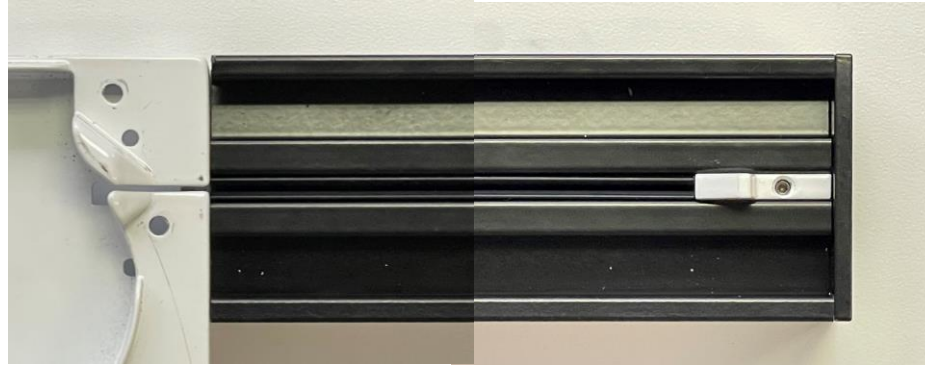


1. Cut or file off any excess paint on end of tracks.
2. Put track parts 1,2,&3 onto **receiver** ends of the track components. 1.5mm hex key to attach latches.
3. Measuring from both **brake latch lower** and **track cap upper**, mark at determined identical length.
4. Put **upper & lower track** components together respectively.
5. Flush the components at **receiver ends** of tracks. Cut at mark.
6. On **housing end of track upper fixed**, widen hole using #6 ST screw. Insert **track pin (4)**.

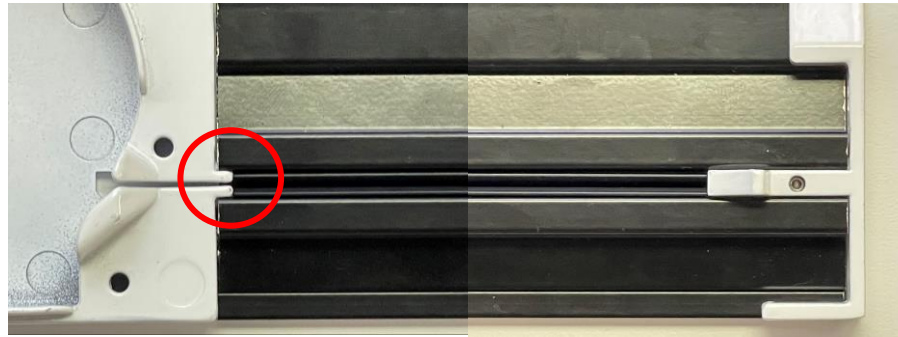


1

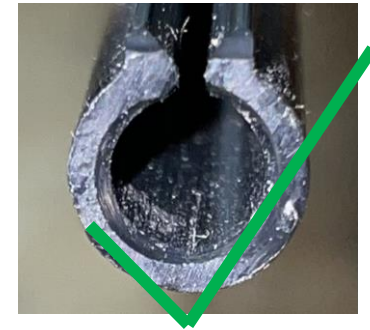
Upper



Lower



Entry end

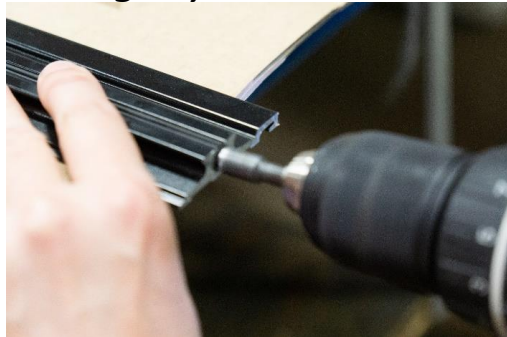


Cut track runners
(*Single screen shown*)

2

Prep
entry
ends

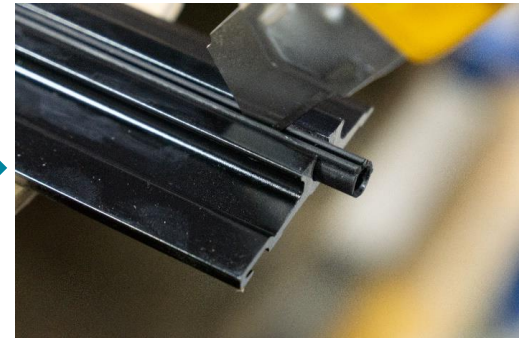
Slightly counter-sink.



Barely trim the corners off.

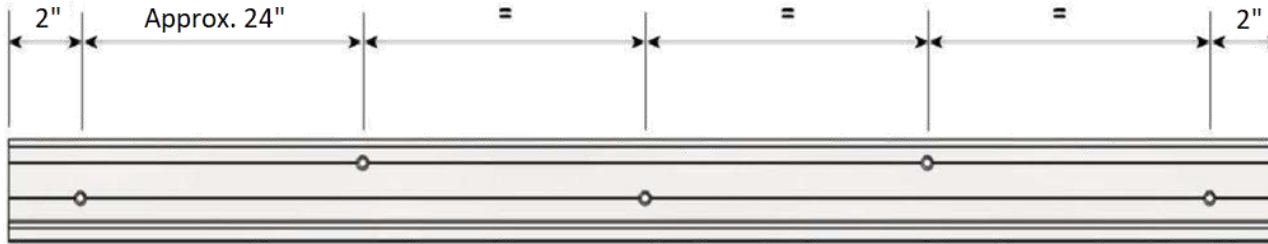


Deburr and clear debris.

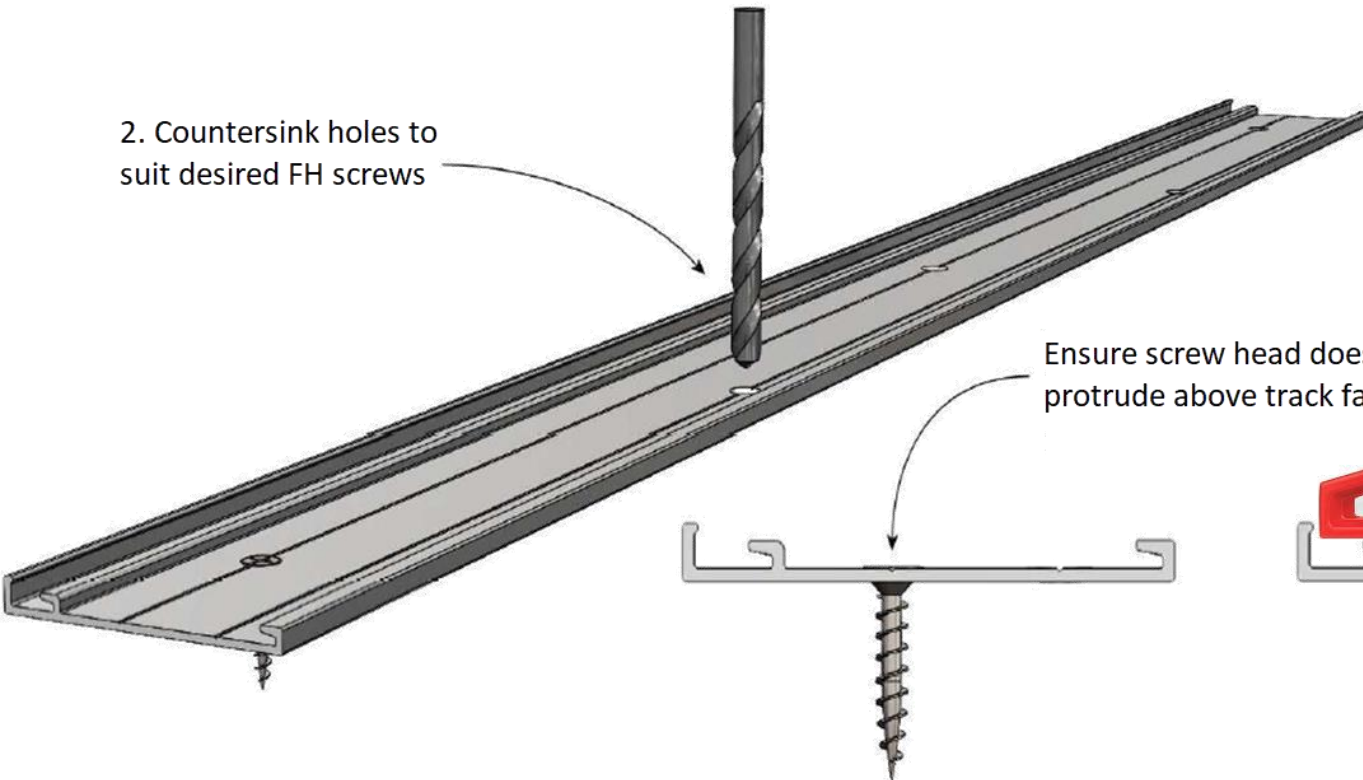


DO NOT CUT TRACK RUNNERS TOO SHORT

1. Predrill holes like shown or in pairs



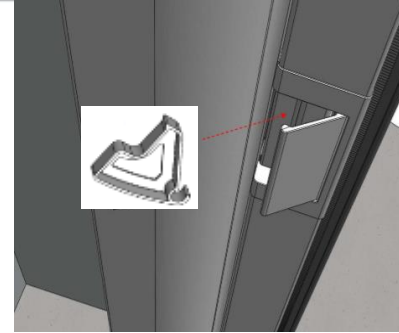
2. Countersink holes to suit desired FH screws



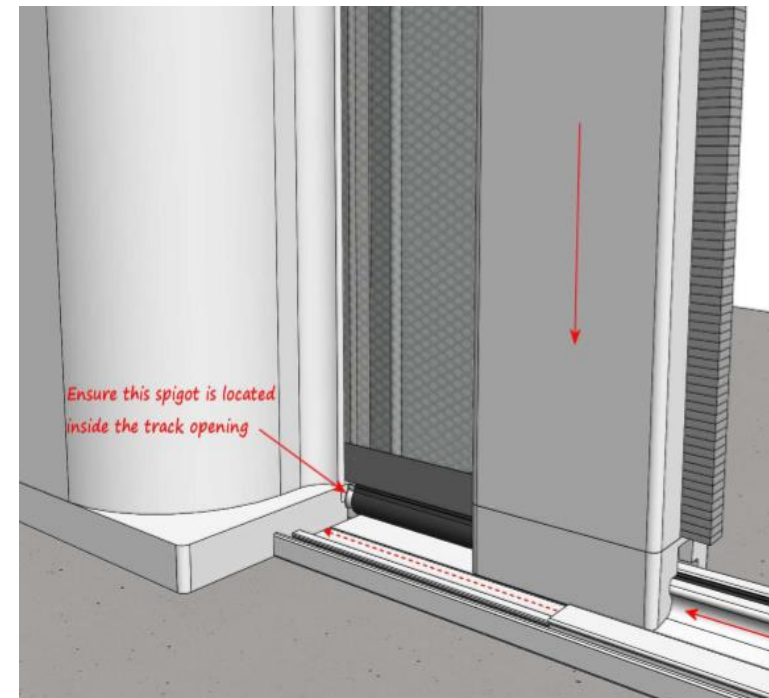
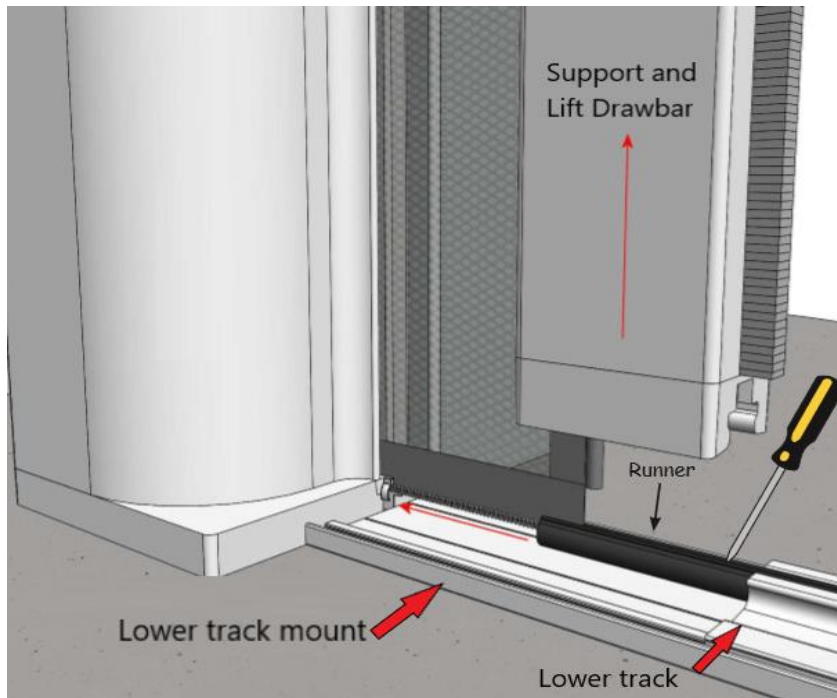
Check level front-to-back. Shim if necessary.



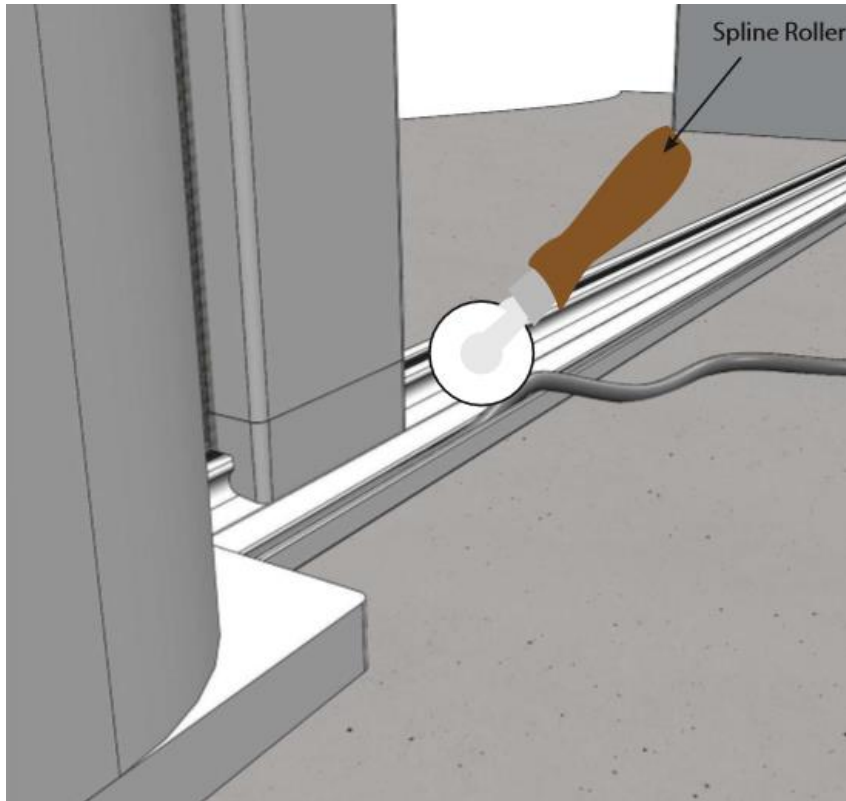
1. Insert **RED** wedge into handle to release brakes.
2. Fasten **track mount**. Bottom even with bottom of housing (use lower track cut-off to help).
3. Lift **pull-bar**. Slide **track runner** along zipper.



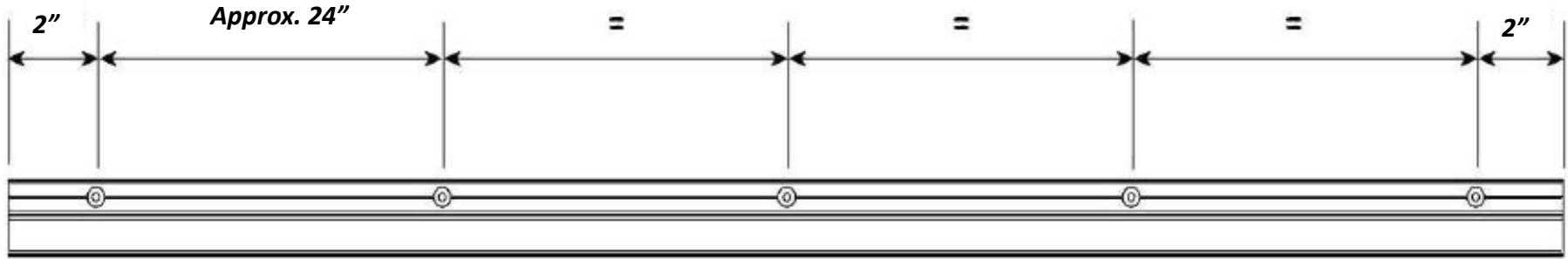
4. Feed **track** through **pull-bar**, pushing *fully* against **housing** – **no gaps!**



6. Interlock **track** and insert **spline** into groove while compressing it to allow for shrinkage.

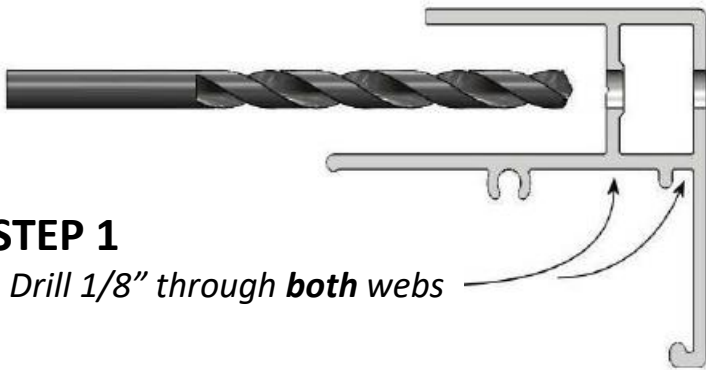


7. OPTIONAL – If exposed to much sunlight, put 1 drop of quick-dry glue between **track runner** and **track** at housing end.



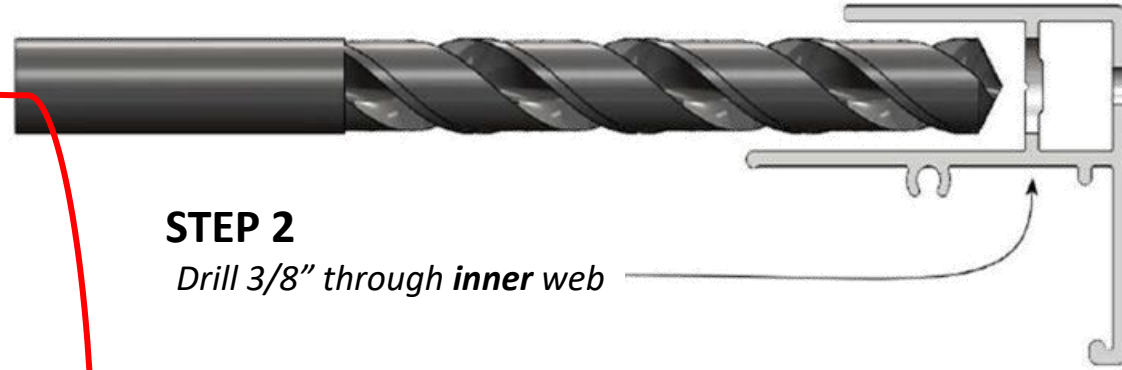
STEP 1

Drill 1/8" through **both** webs



STEP 2

Drill 3/8" through **inner** web

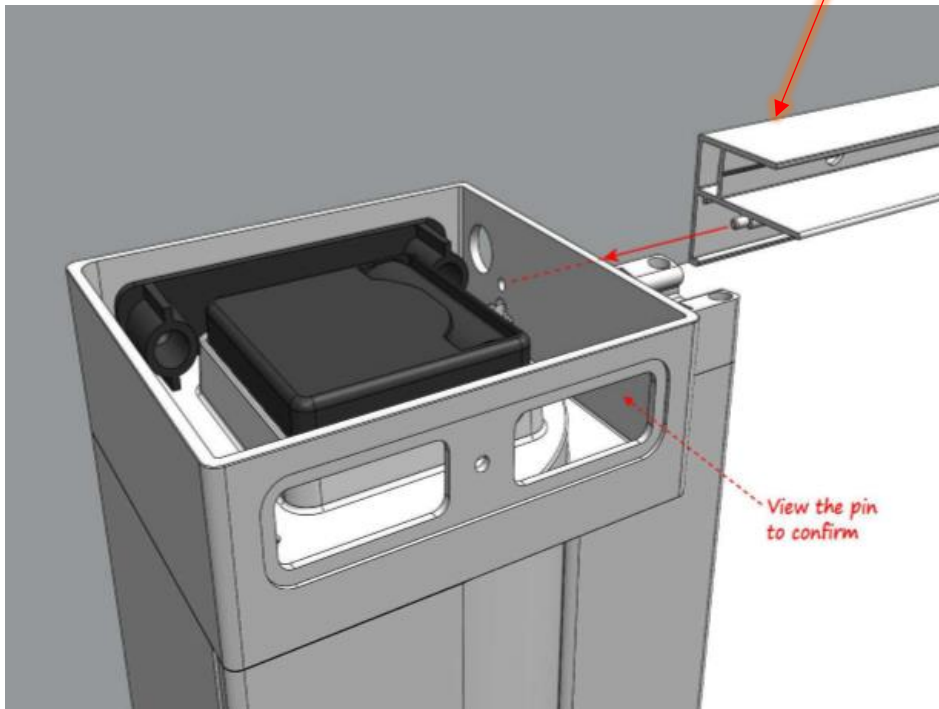


STEP 3

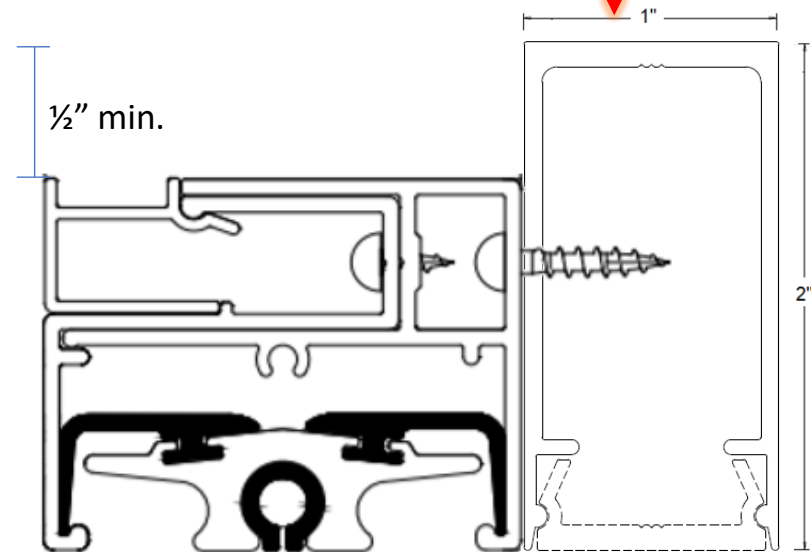
Remove external burrs with countersink bit.

Upper Track Fixed

Insert **upper track fixed** into **housing endcap**. Ensure **alignment pin** is in hole.

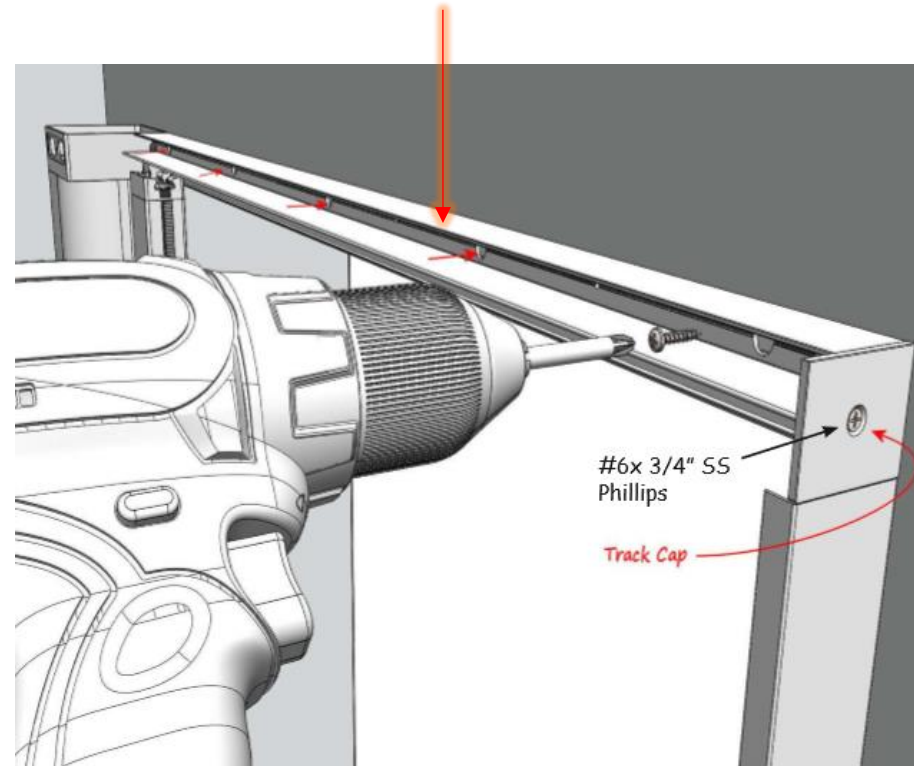
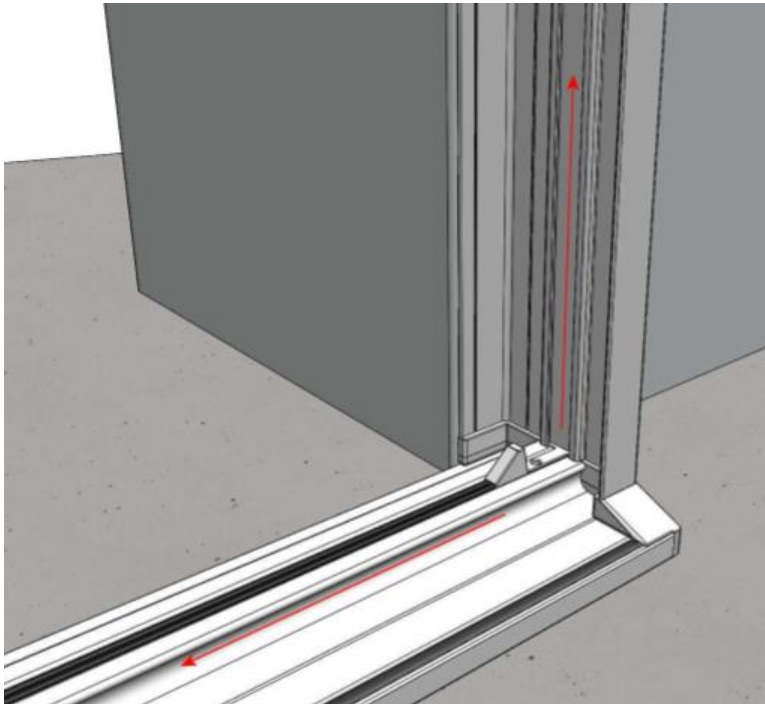


*Optional **box channel** for an under-header fit. Affix to header *first*.

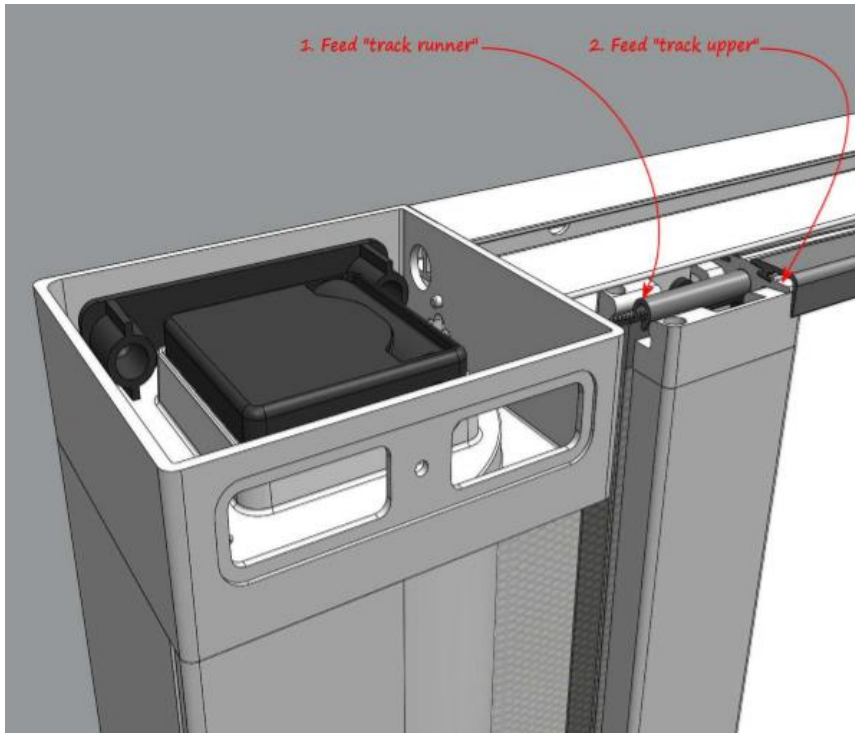


Affix upper track fixed using receiver channel as preacher stick.

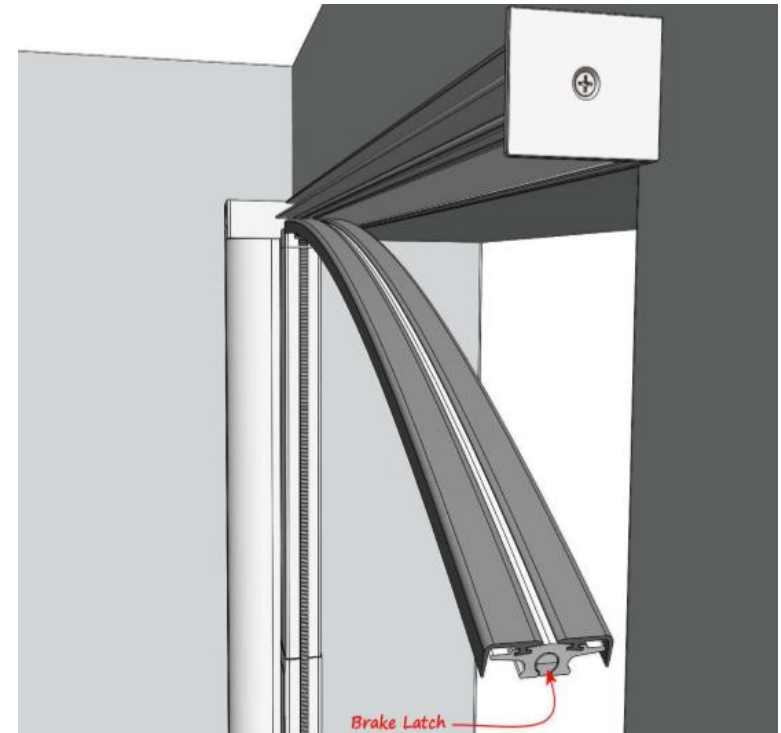
Upper Track Fixed



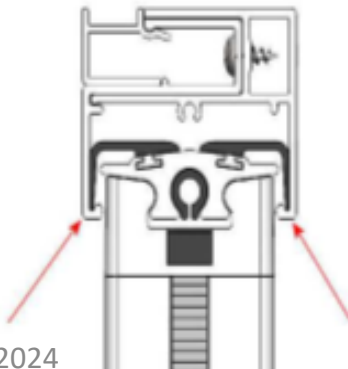
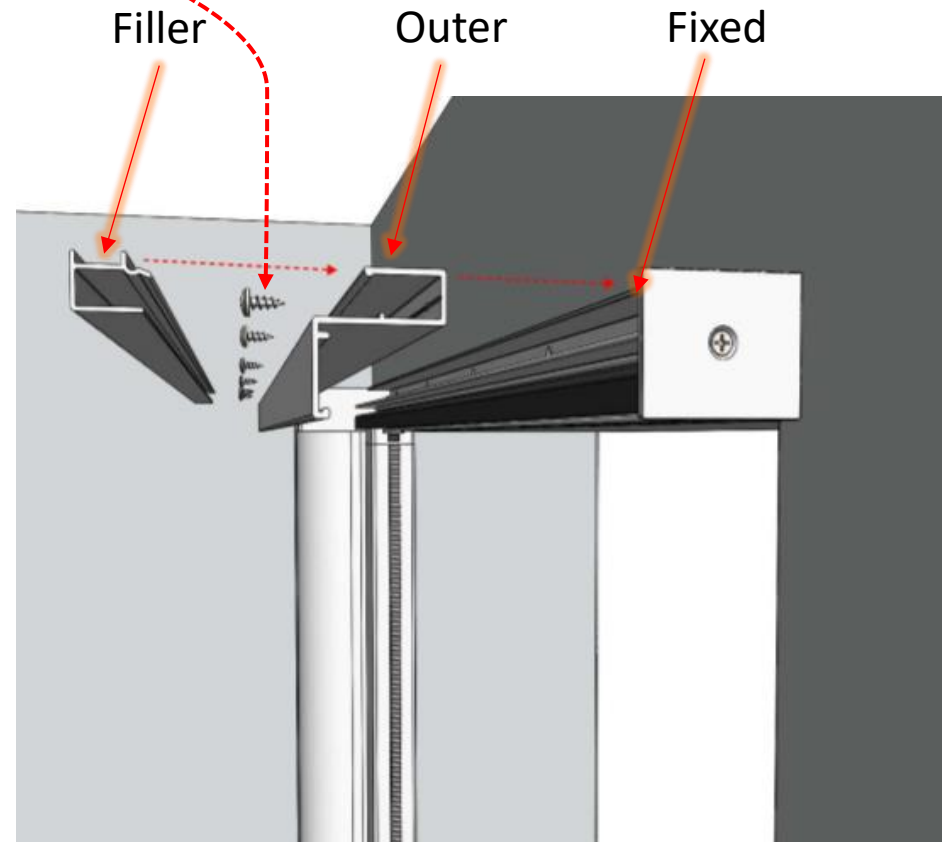
1. Feed **track runner** along zipper, then **track upper** through **pull-bar endcap**. Push *fully* against **housing** – no gaps.



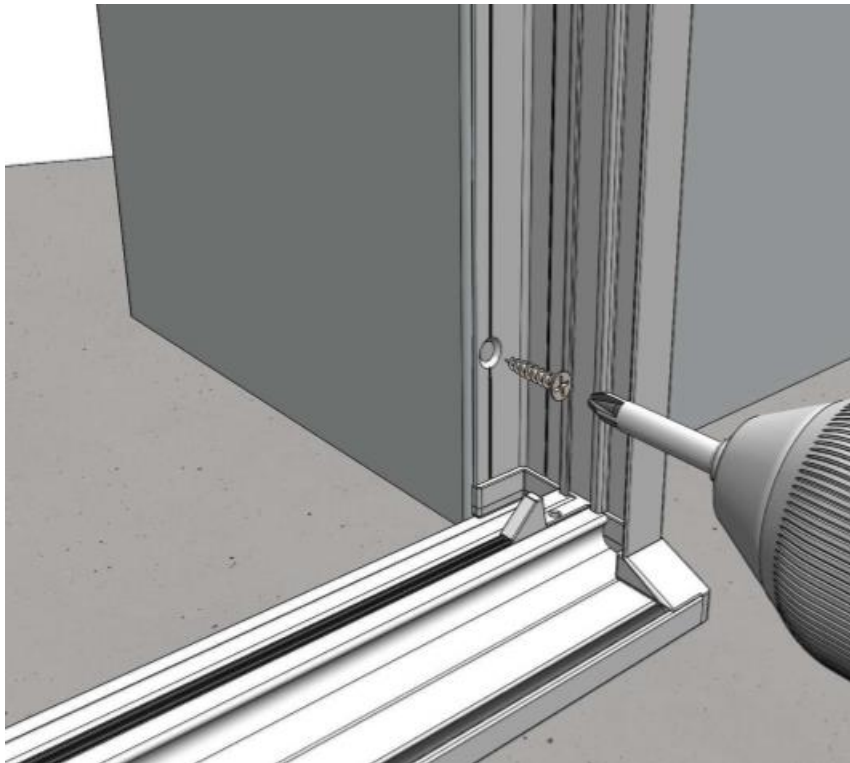
2. Place **upper track** into **upper track fixed**.



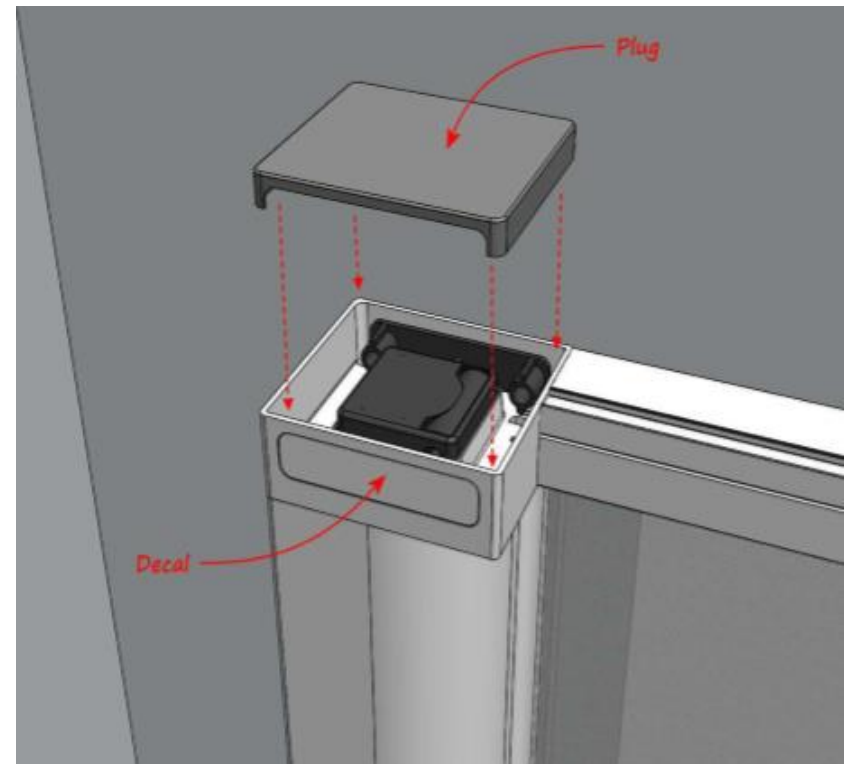
1. Fasten **upper track outer** to **track fixed** with #8 x 1/2" ST screws.
2. Spray dry silicone in **track runners**.
3. Retract screen fully, draw out 1' extra after each retraction, doing so until it reaches the receiver side. ***If resistance is felt, retract and slowly draw again.**
4. If the screen does not work, review the **Troubleshoot Manual**. Otherwise, attach the **track filler** using a mallet .



1. Position **receiver** and fasten with #6 PH painted screws (not shown) along screw guidelines.



3. Apply **decals** over gearbox access window.
4. Put **endcap plug** on top of housing.
*If housing is “under-header”, put plug on *before* installing housing.



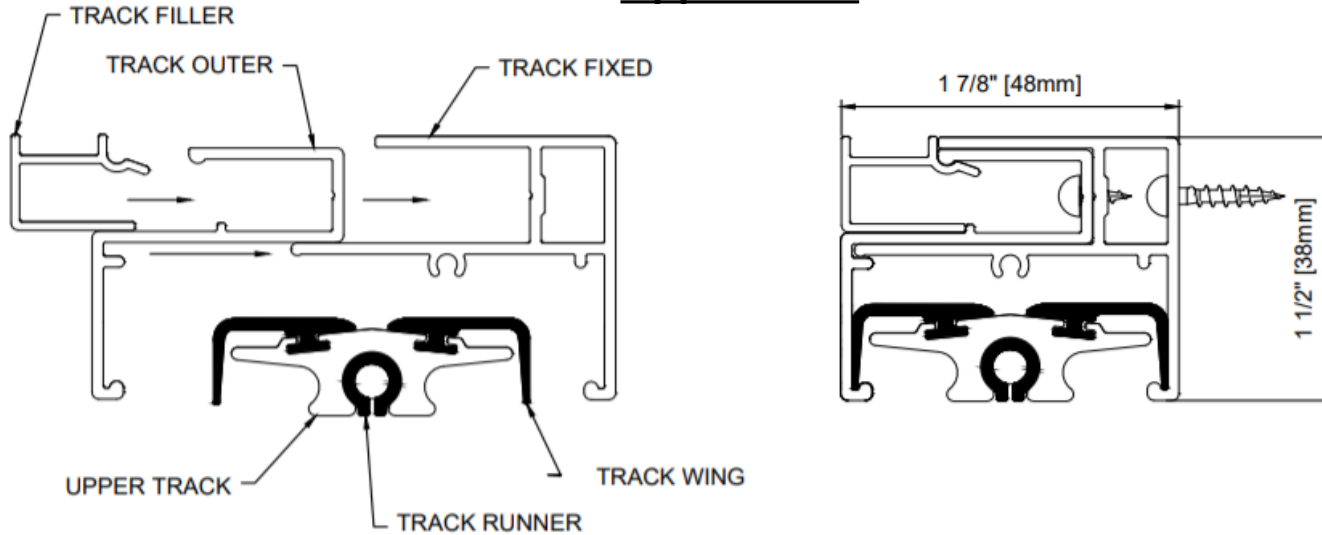
TEST THE UNIT

Check the following:	✓ or ✗
Tracks are level, parallel, and plumb side-to-side and front-to-back?	
Housing on the ground AND plumb?	
Housing mesh slot has not been squeezed during the install?	
Tracks are fully against the housing? No gap?	
Track runners are <i>not</i> cut too short? No gap?	
Zippers are following through the housing endcap keyholes?	
Track runners have been sprayed with dry silicone ?	

! If any problems are not resolved, call 604-299-4426, or email support@wizardscreens.com **before leaving site!**

If necessary, review the **Troubleshoot Manual**

Upper Track



Lower Track

