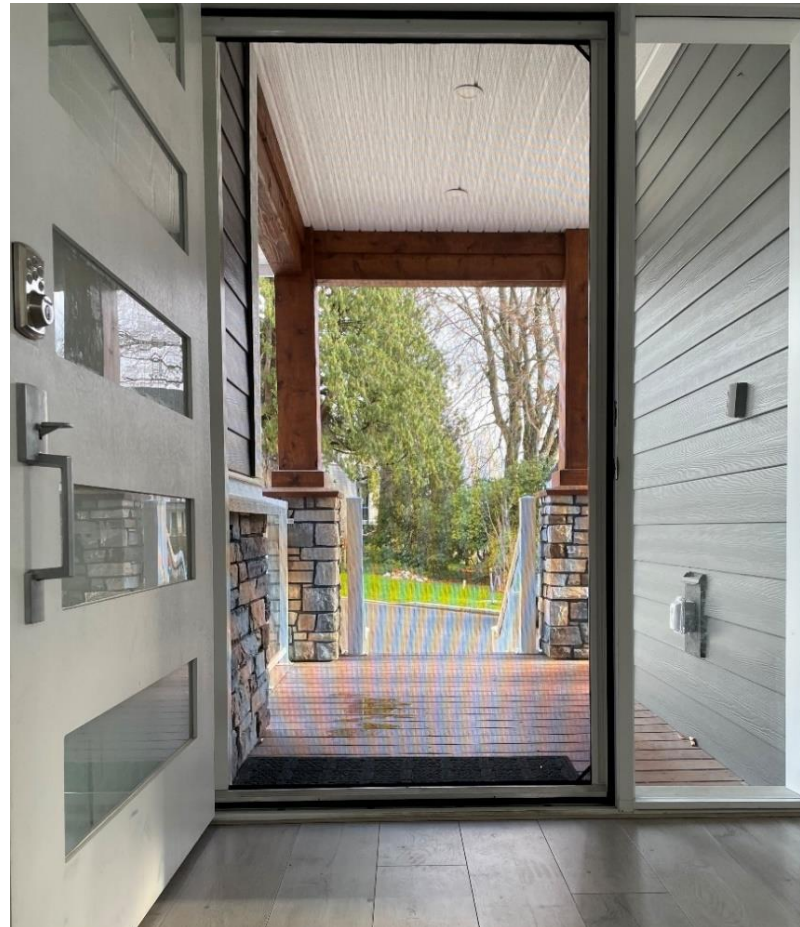
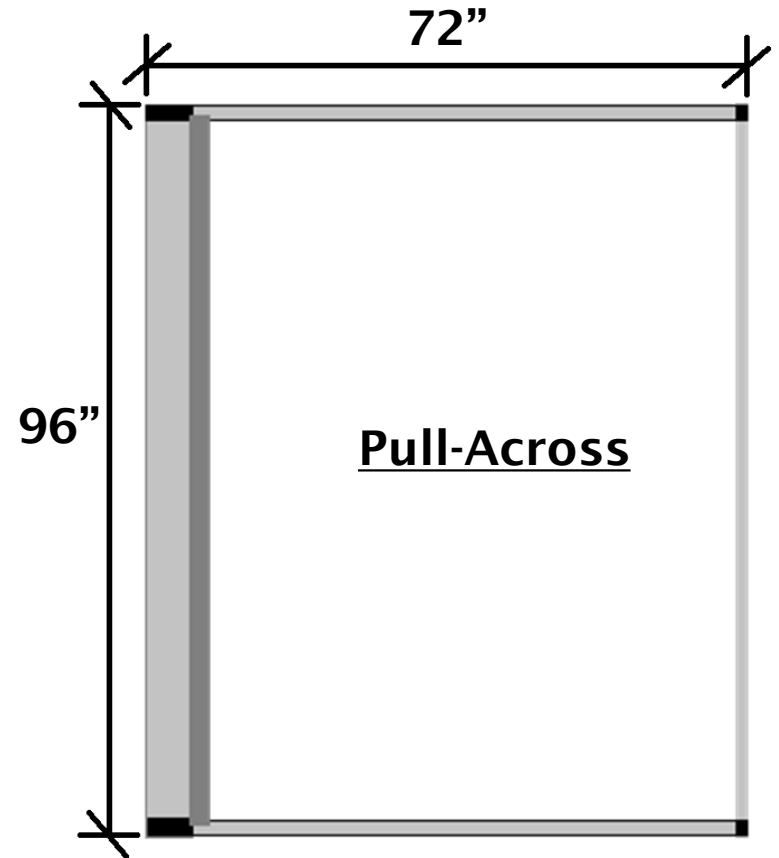
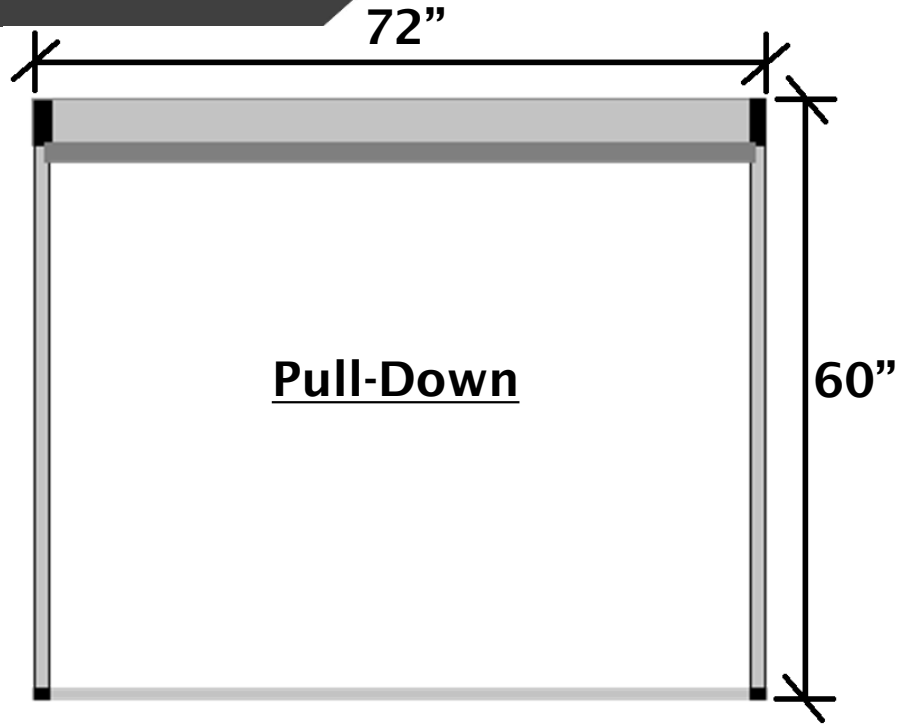


BetterView

BetterView

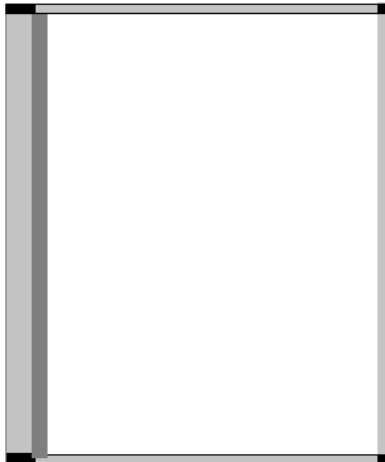
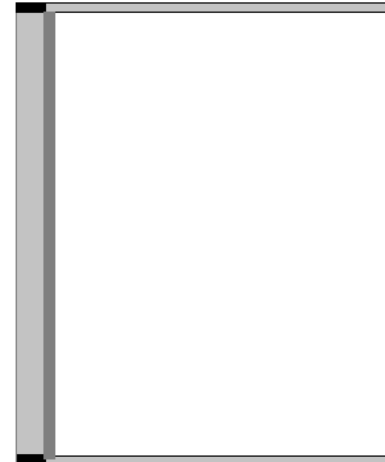


Overview



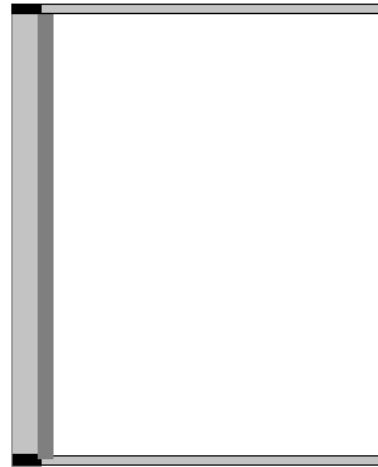
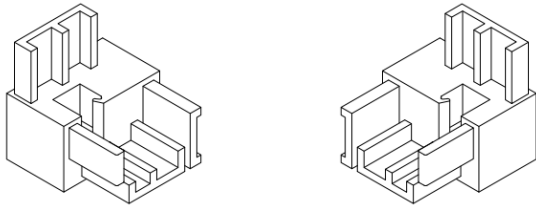


Maximum Dimensions

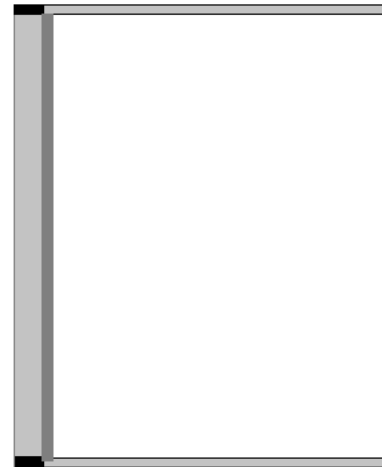
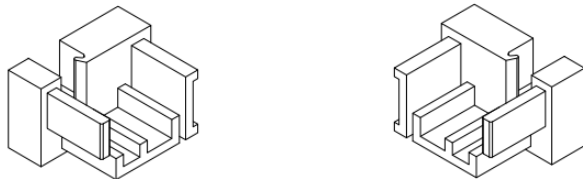
	Width	Height
Pull-Across	72"	96"
Pull-Down	72"	60"

	With receiver	Without receiver
PULL-ACROSS		
PULL-DOWN		

When ordering ***with*** receiver,
the parts pack includes
“**track-to-receiver joiners**”



When ordering ***without***
receiver, the parts pack
includes “**track caps**”



Reveal Fit



Face Fit

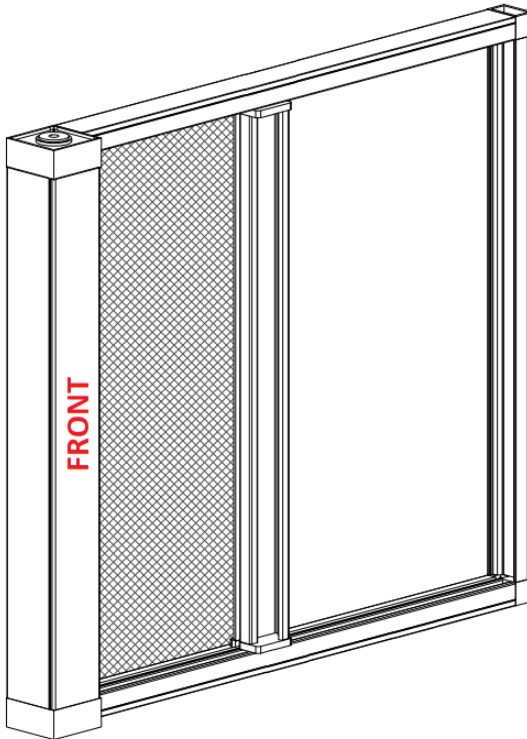


Single

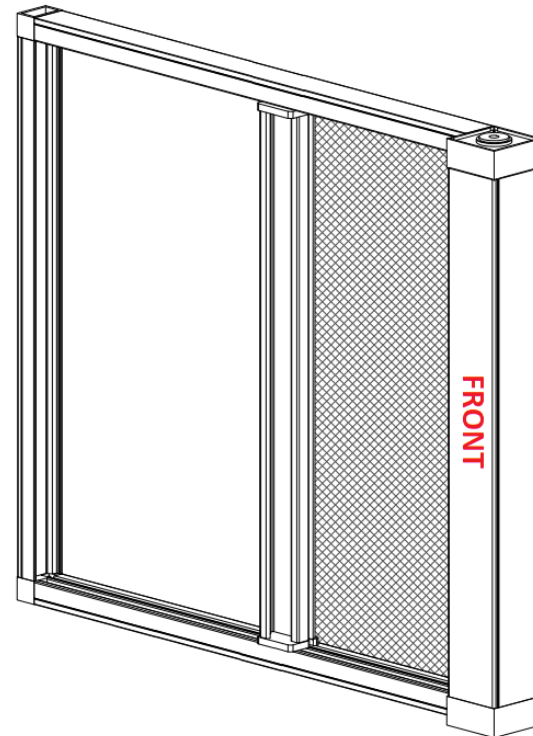


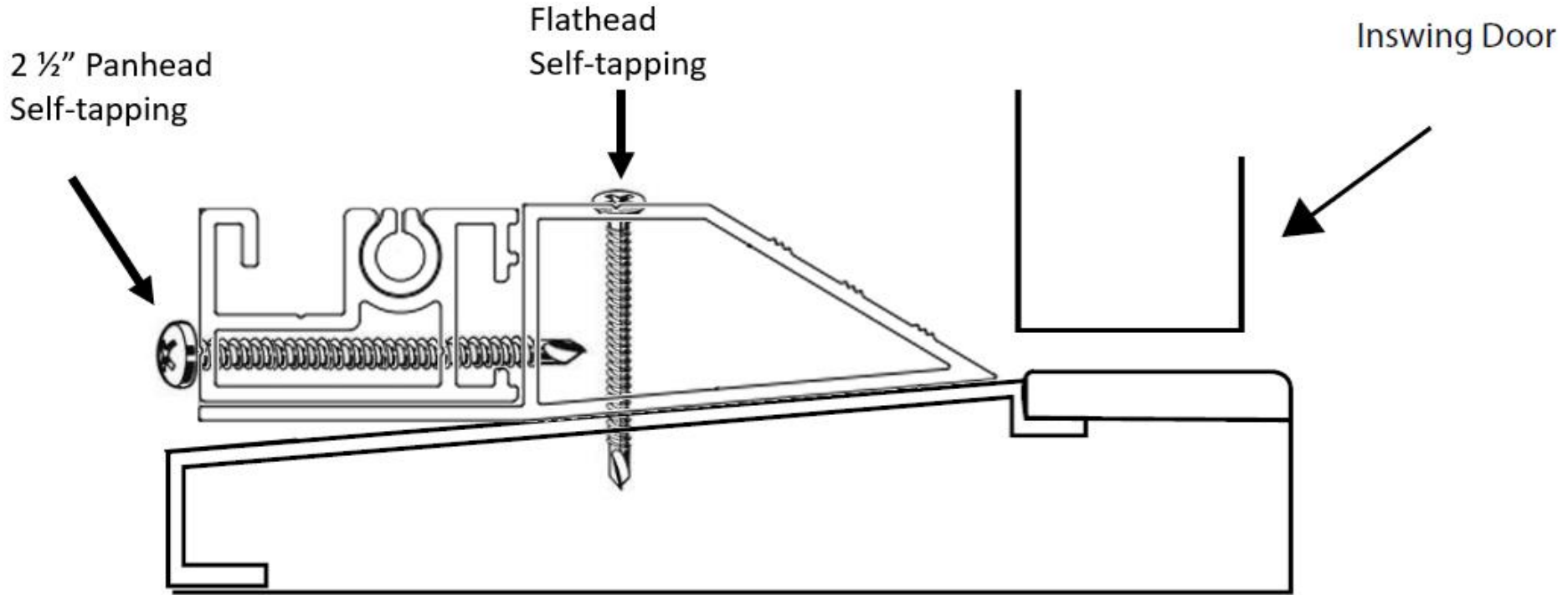
Handing is determined as if
looking at the **FRONT** of SCREEN

LEFT-hand



RIGHT-hand





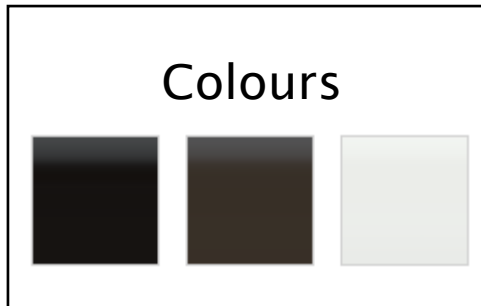
To latch the pull-bar,
push the front-side
OR
pull the back-side



Captured Mesh



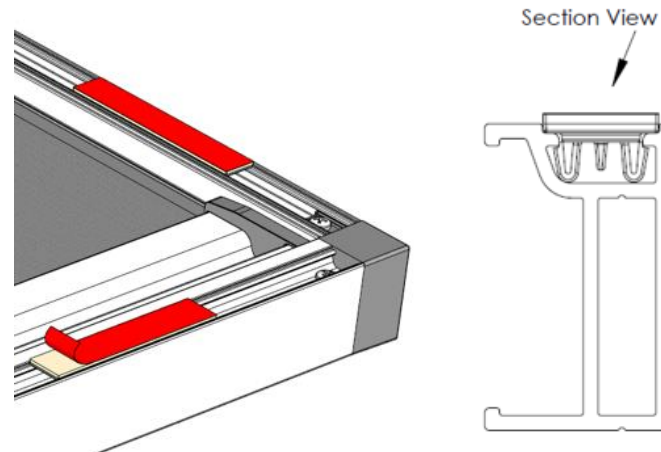
Soft-close System *Pull-Across only



Adjustable Tension



Adhesive Clips for Face Fit



*only for assistance.
Still requires mounting screws.