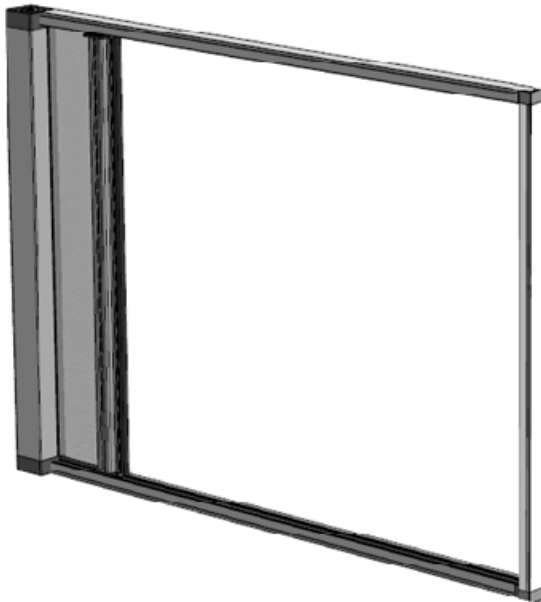


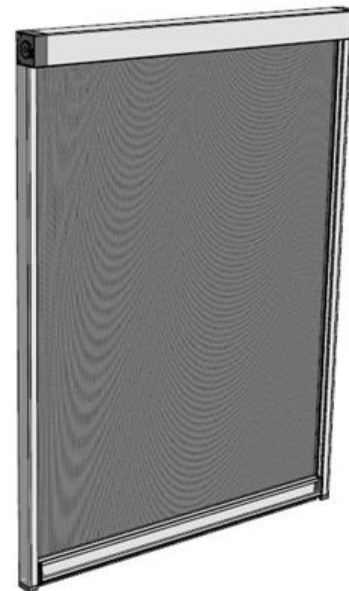
BetterView

Installation Guide

Pull-across



Pull-down



Spray tracks *only*
with **dry silicone**.



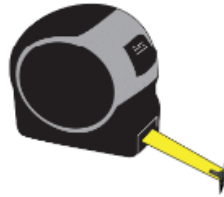
MUST be installed **plumb, level,**
straight, and square.

REQUIRED

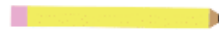
Level



Tape Measure



Pencil



11/32 & 1/8
Drill Bits



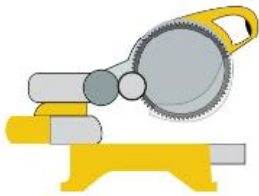
#1 and #2
Robertson
Driver Bits



Dry Silicone
Spray



Chop Saw



Drill



Step Ladder



Vacuum



OPTIONAL

Hex Key 8mm



Small
Countersink Bit



Utility Knife

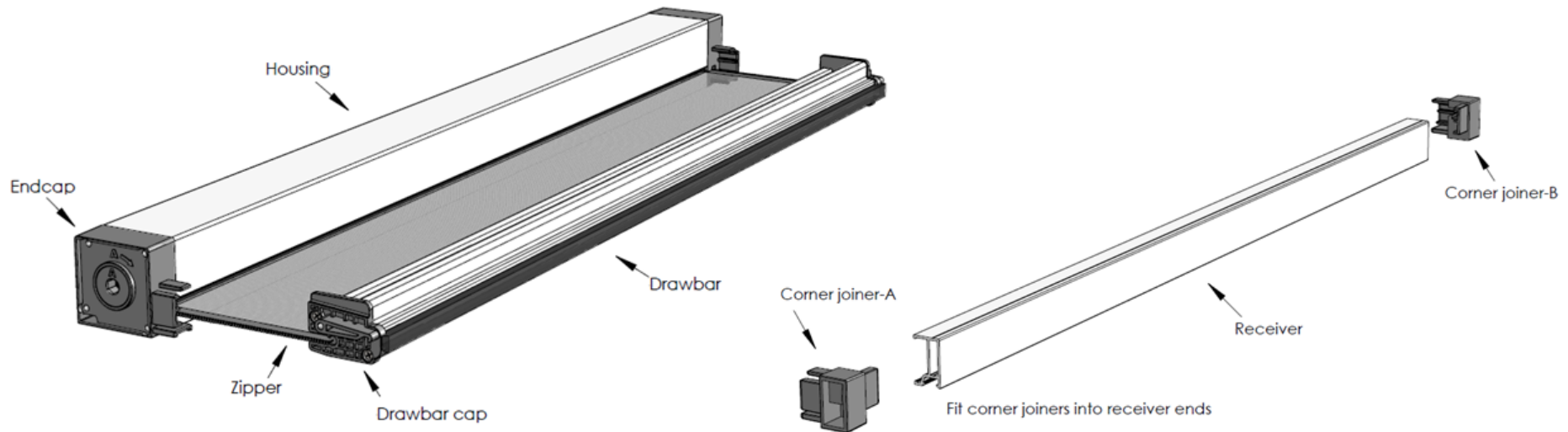


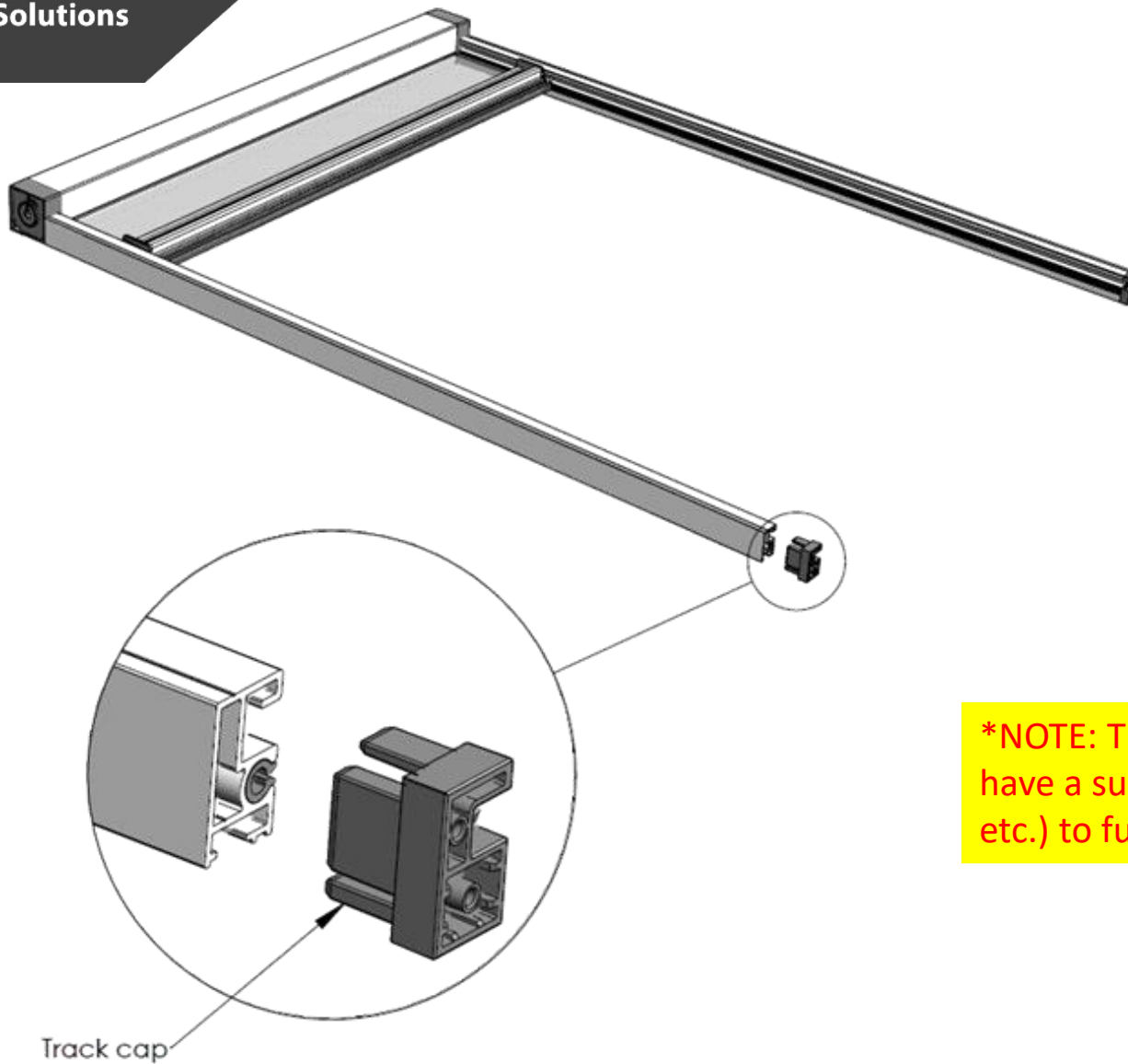
2-way Laser Level



Shims

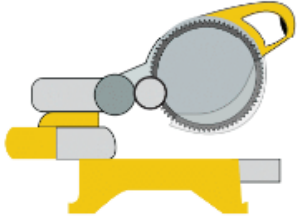




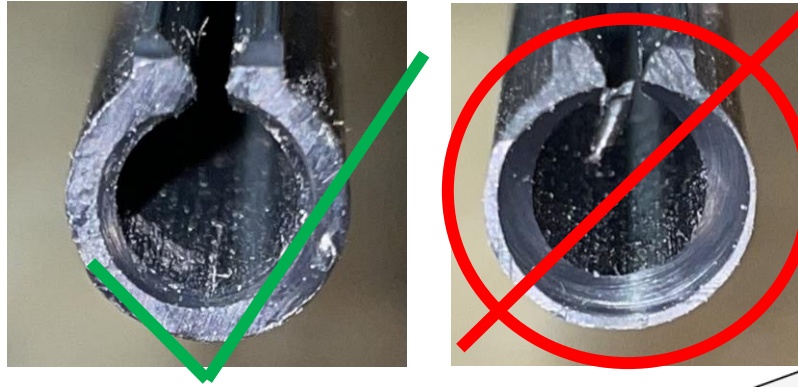


***NOTE:** The pullbar *must* have a surface (ie. Sill, Jamb, etc.) to fully seal against.

1. Chop Saw

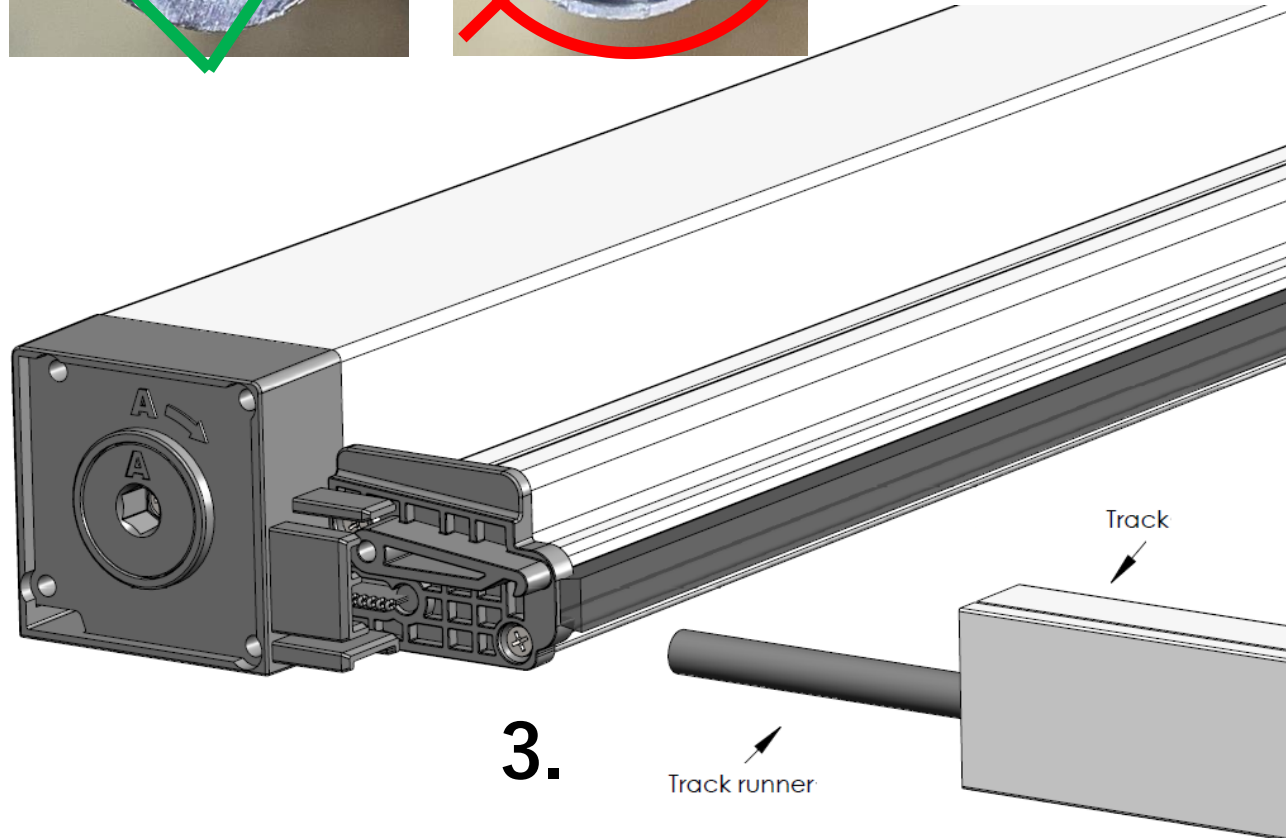


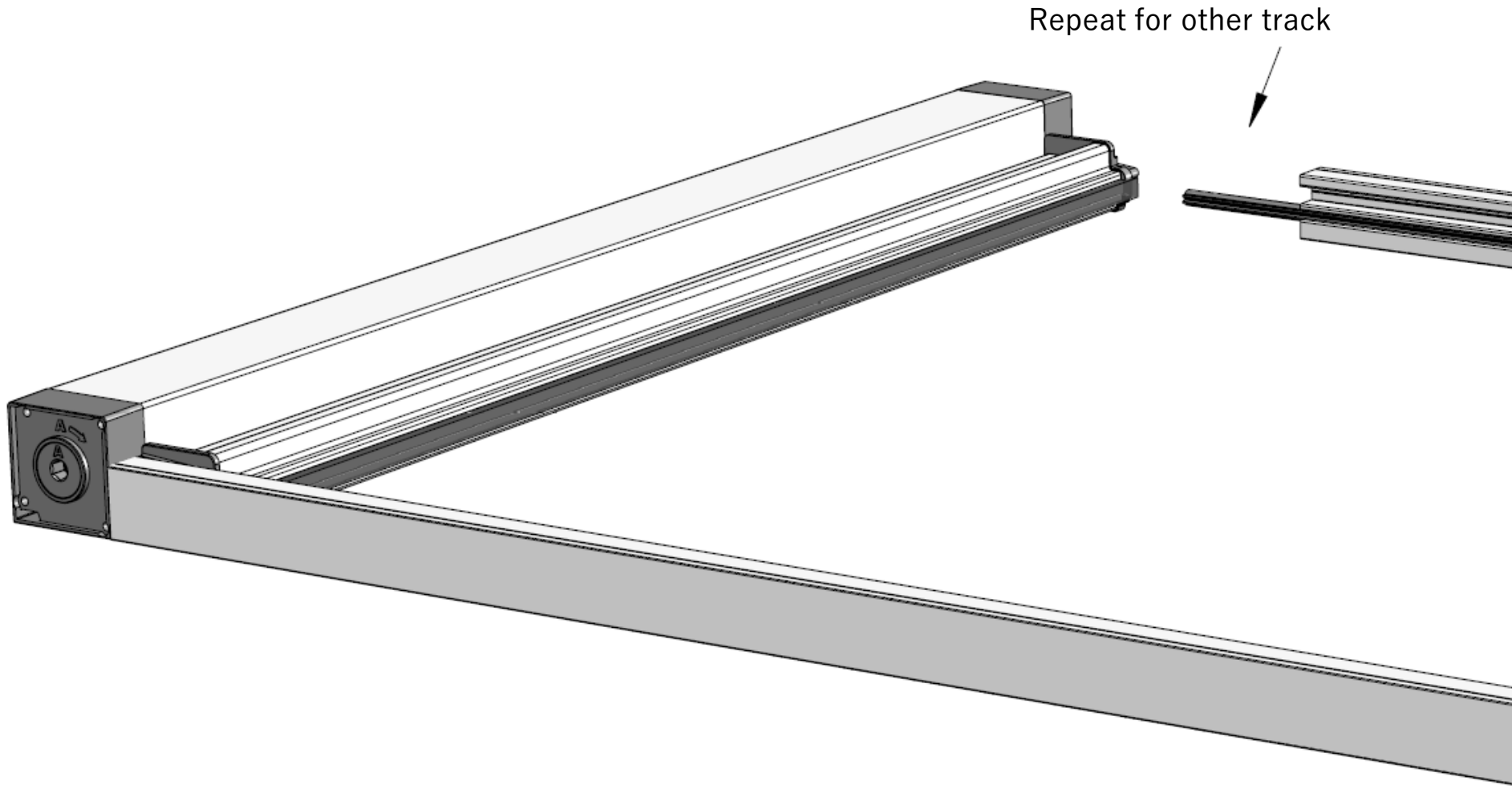
2.



Tracks

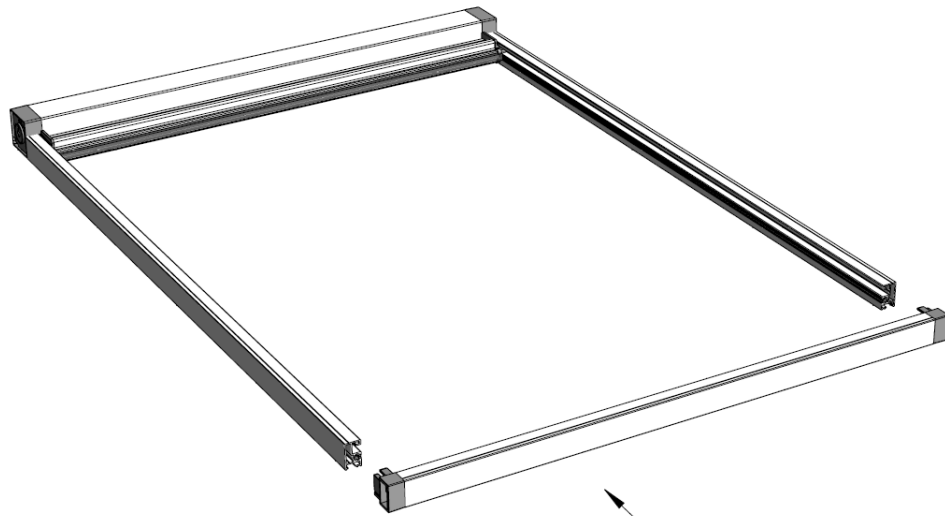
1. Cut to size
2. Prepare track runner entry end:
 - i. Slightly countersink
 - ii. Barely nip corners off
 - iii. Deburr
3. Insert track fully against housing





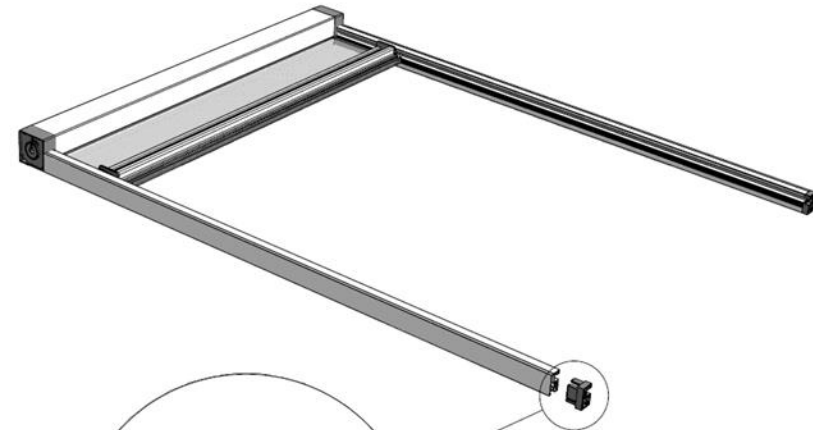
Attach remaining components.

With receiver



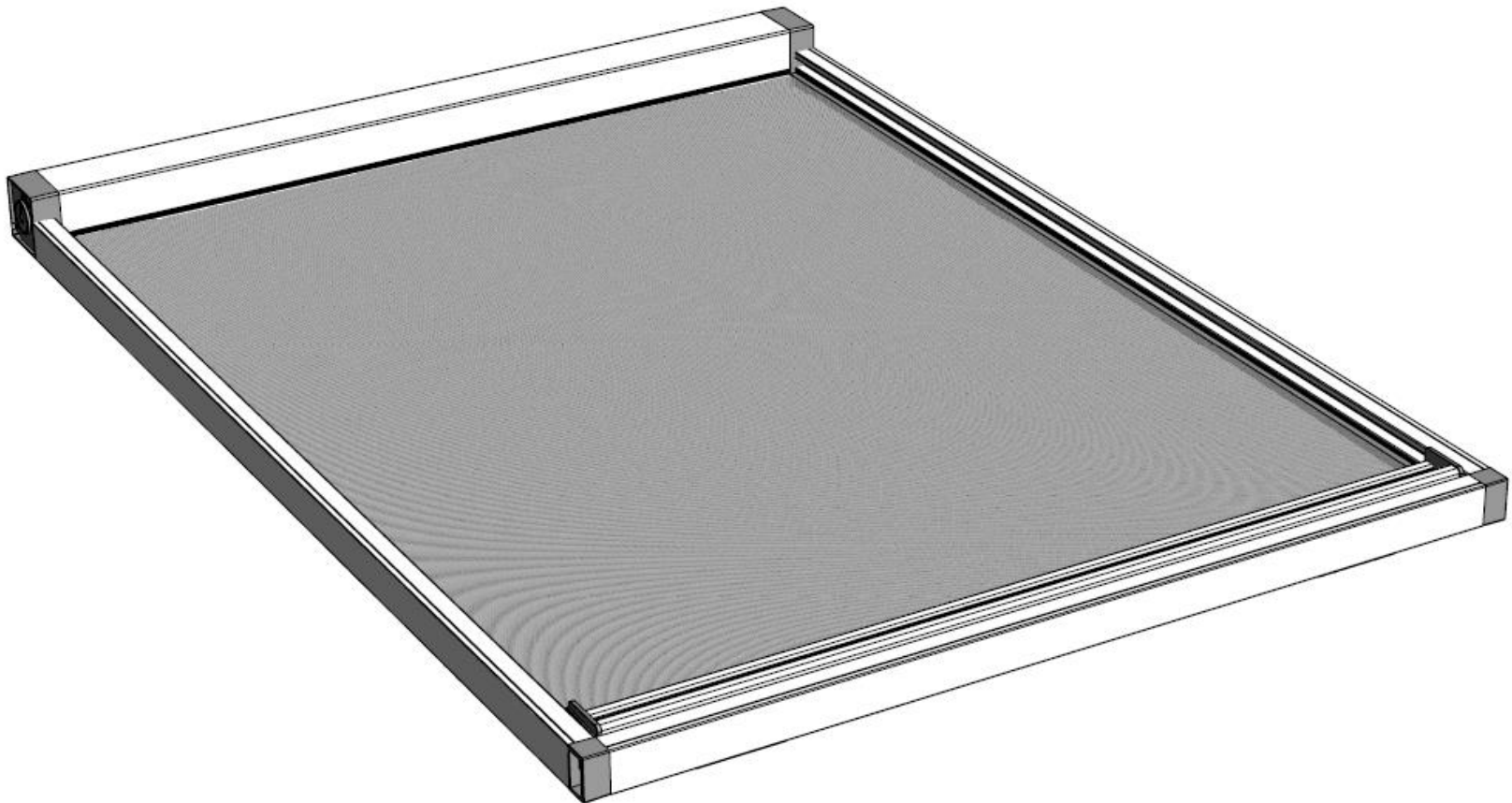
Assemble receiver into track ends

Without receiver

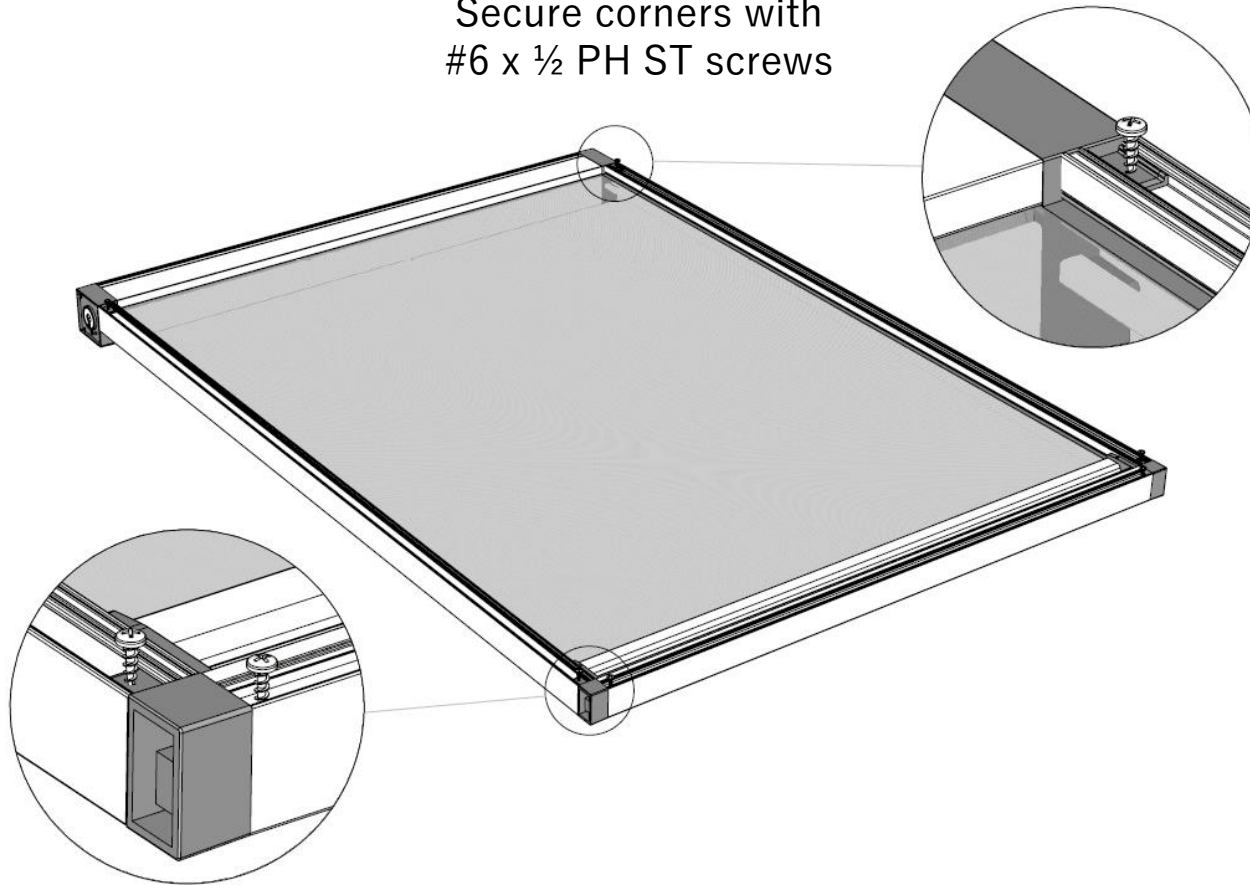


Track cap

Move pullbar across & latch to receiver before turning the screen over. This will increase rigidity of frame when handling.



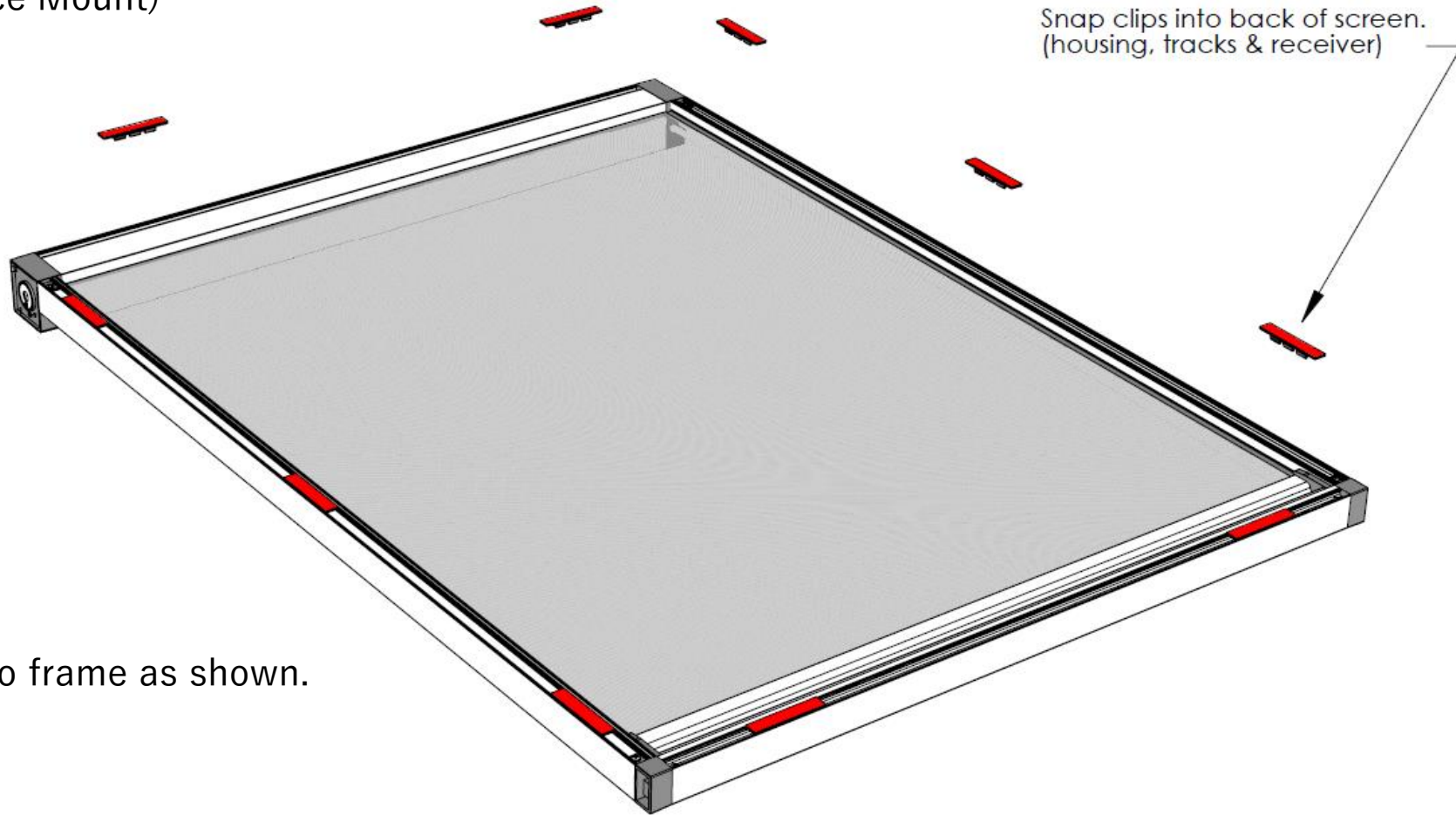
Secure corners with
#6 x 1/2 PH ST screws



ALTERNATIVELY

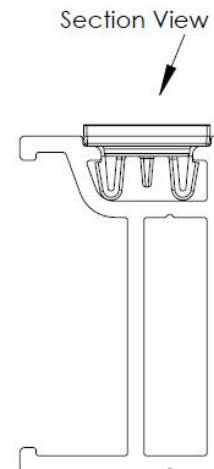
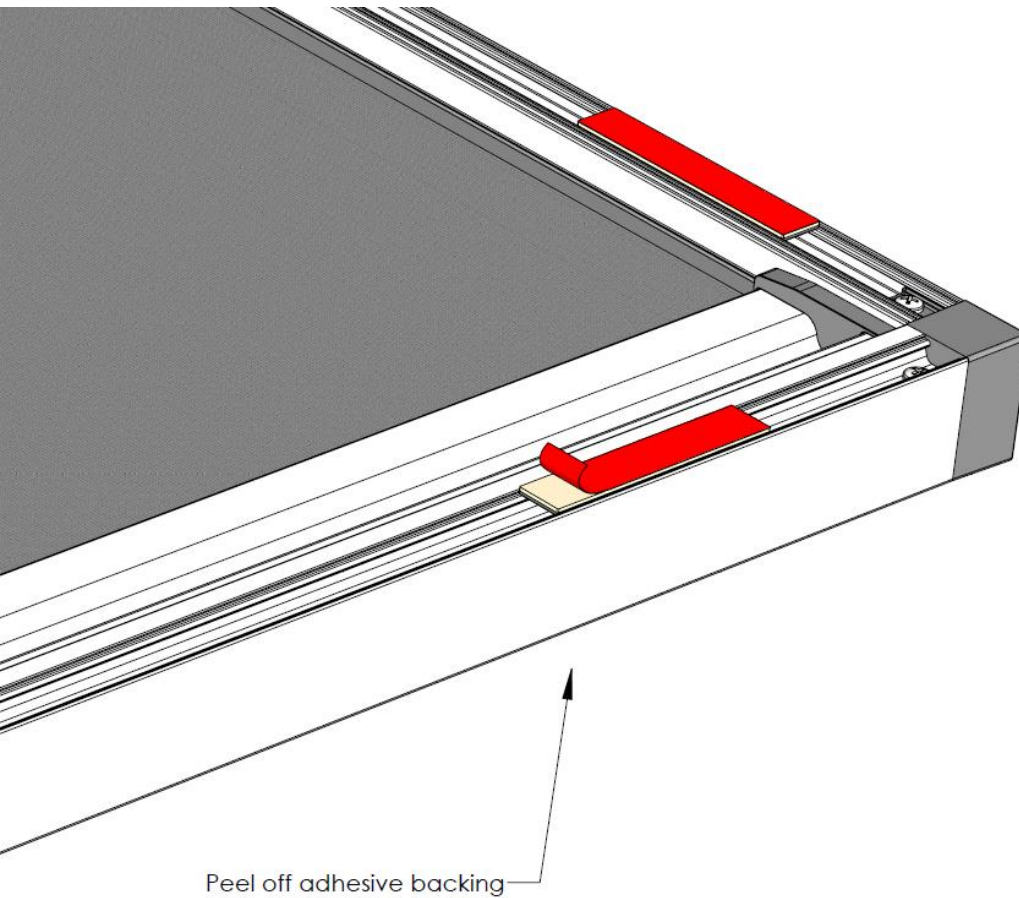
Assemble unit
face-down.

Clips assist the mounting process
(Surface Mount)



Clip into frame as shown.

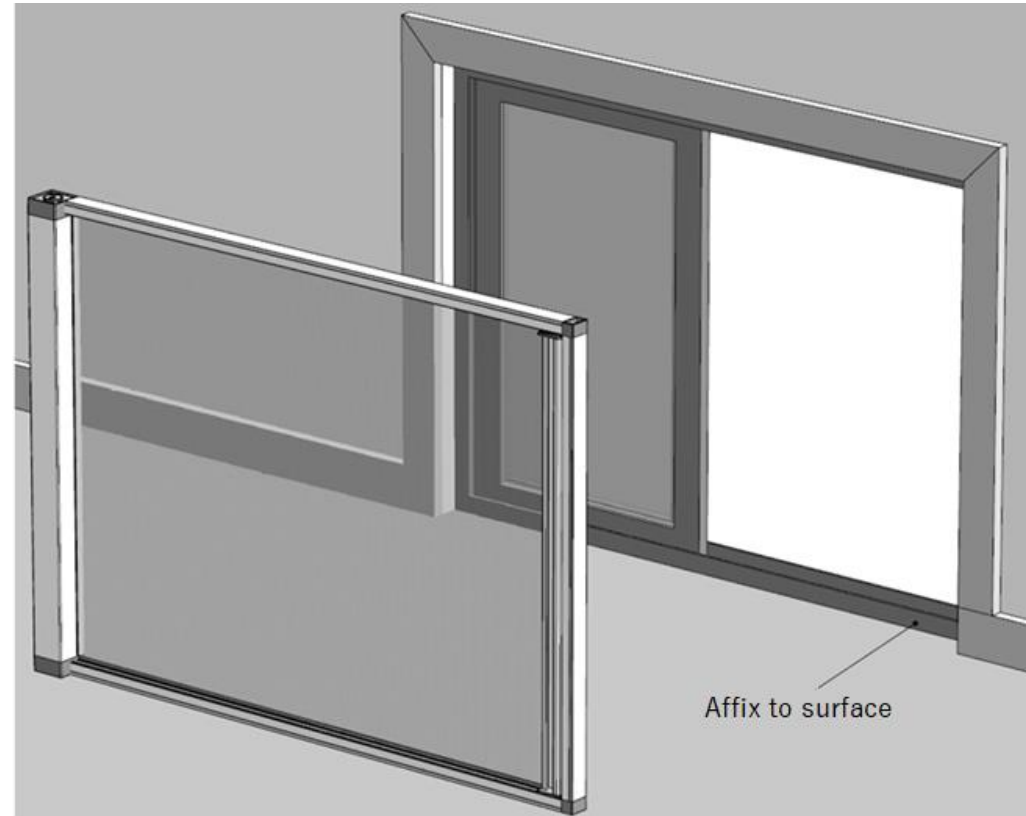
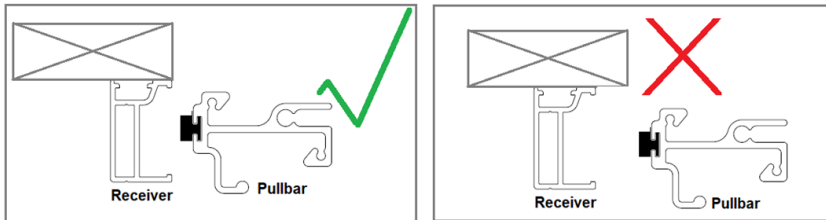
TIP: You can temporarily stick a dowel pin to the tape to prevent accidental contact with the mounting surface during alignment. When ready to mount, remove the dowel and press down. Repeat this for each clip as needed.

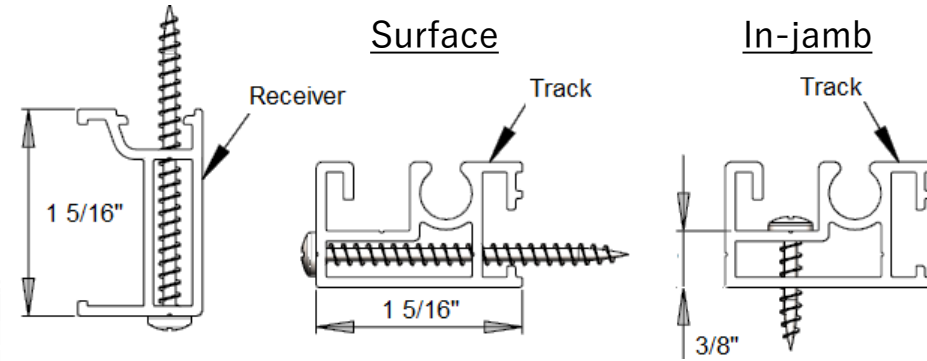
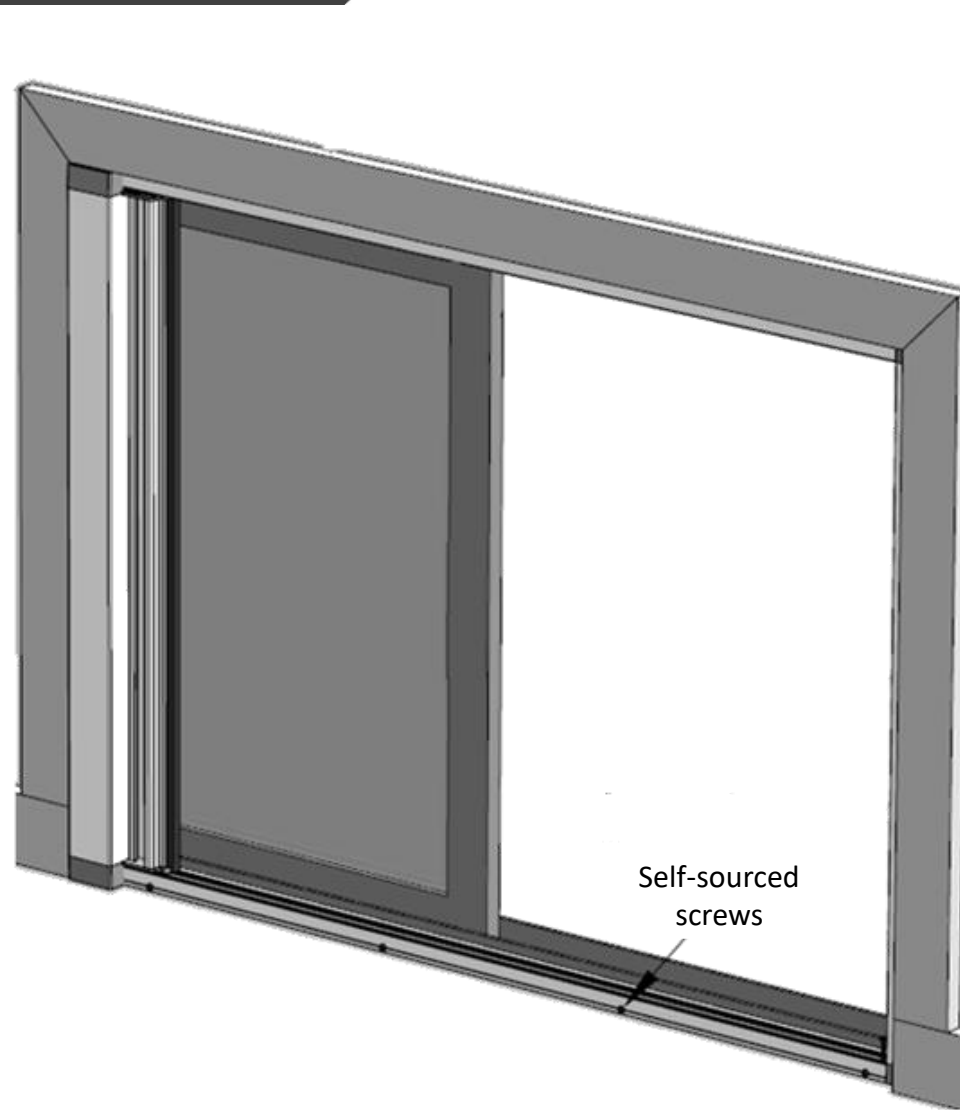


*NOTE: If the **tensioner** will be *inaccessible* when in place:
Lean the unit against a wall (protecting surface) and test
the function of the unit. If necessary, increase/decrease
tension per the last 2 pages.

Apply plumb, level,
straight, and square.

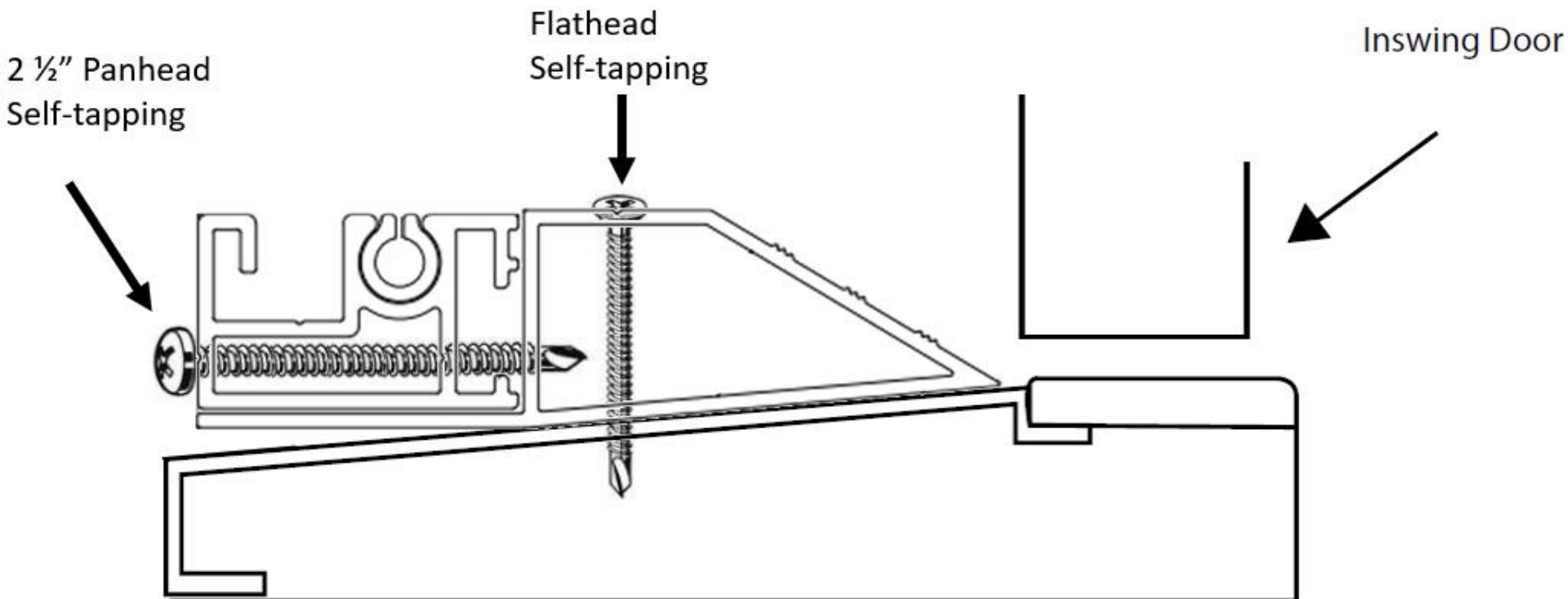
Receiver *must* be located where it permits
operability of the pullbar from **both sides**.

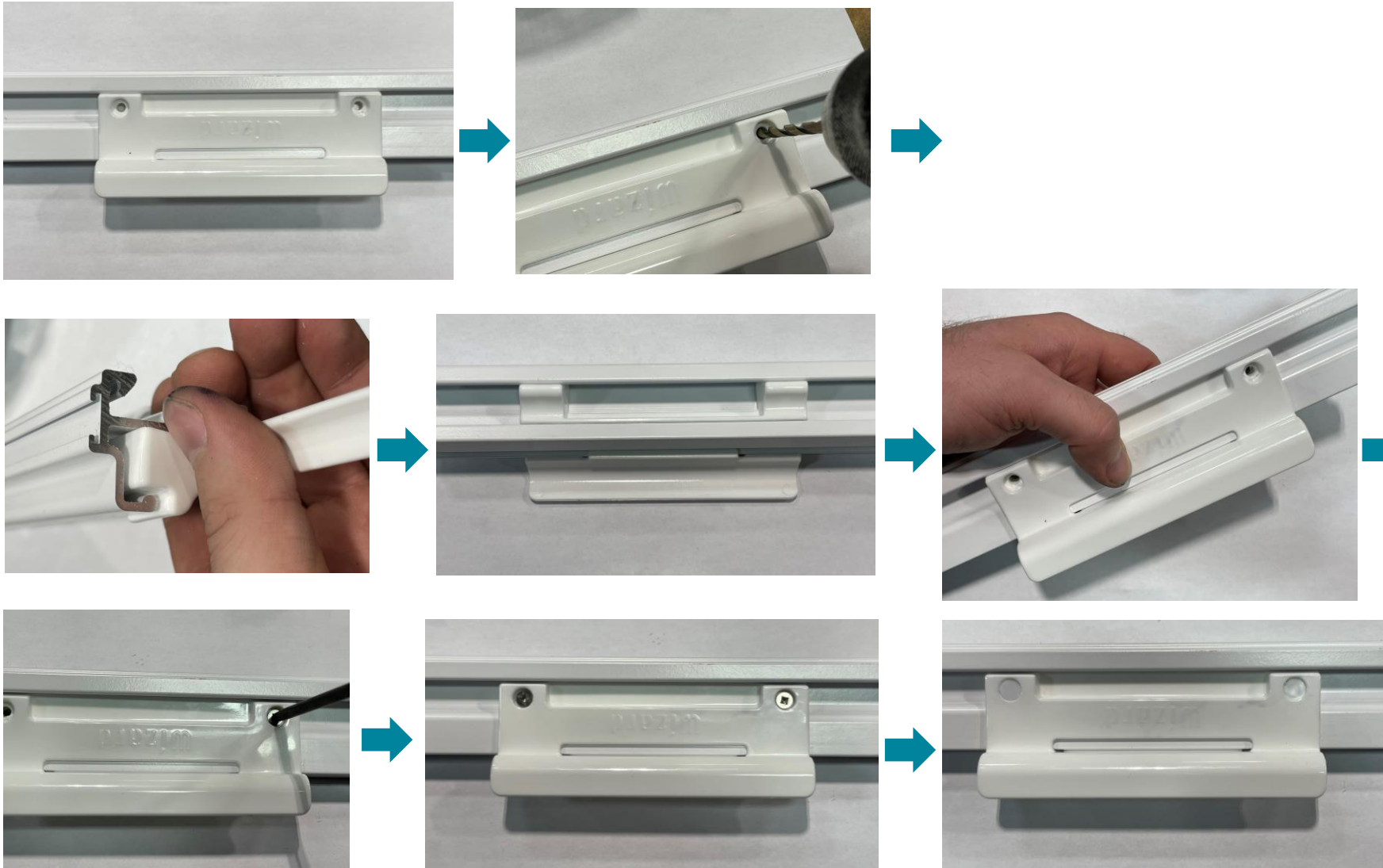




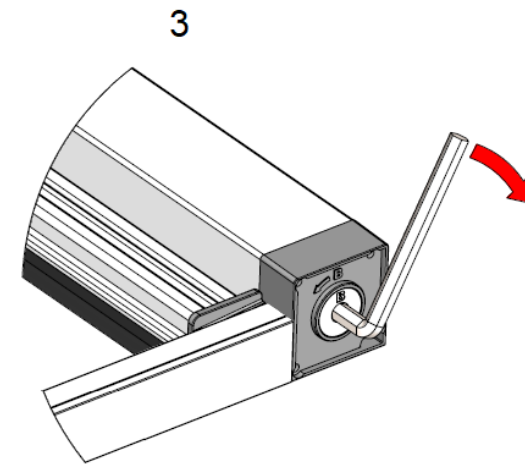
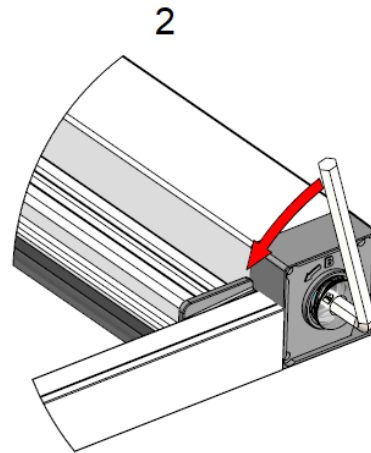
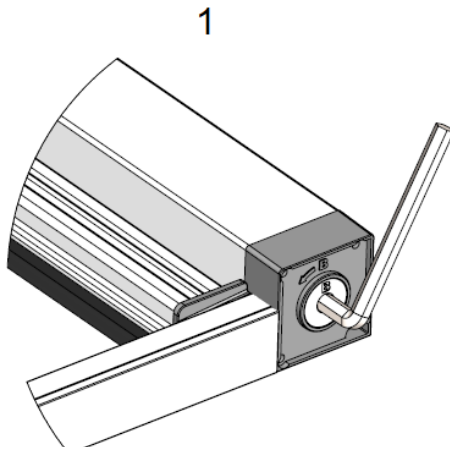
Affix tracks and receiver with appropriate self-sourced screws approx. 4" from ends, then evenly spaced no more than 32" apart.

1. Pre-drill and countersink pilot holes through BetterView Sill Adapter (BSA)
2. Affix BSA to sill
3. Screw track into BSA





Do *NOT* use a drill to wind spring
Do *NOT* exceed 25 turns from 0

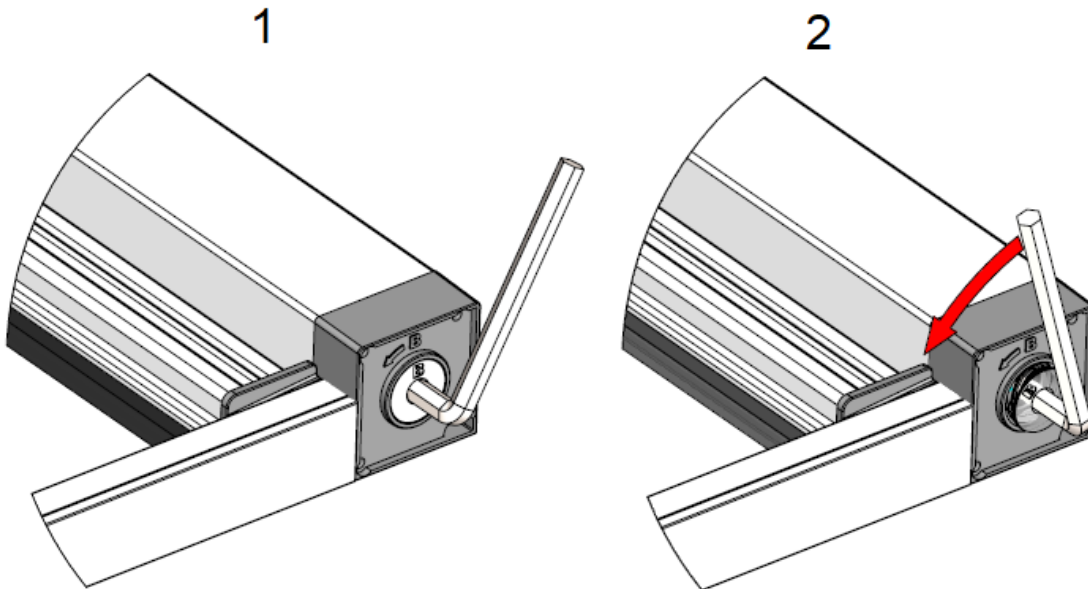


1 To tension spring insert 8mm hex key into the top tensioner:
IMPORTANT: Only rotate the TOP tensioner (marked 'A' for RH opening screens and 'B' for LH opening screens)

2 Rotate in the direction of the arrow shown on the endcap. A number of turns can be made to achieve the desired tension.

3 Once tension is achieved carefully allow the tensioner to re-seat itself back into the endcap before removing the hex key. (Spring tension will hold it in place)

Do NOT use a drill to wind spring
Do NOT exceed 25 turns from 0



1. Insert 8mm hex key into top tensioner
2. Rotate in the direction of the arrow shown on the endcap until tensioner is fully out.
3. Allow to rotate in **opposite** direction the desired number of turns. Then apply pressure, allowing tensioner to re-seat itself.