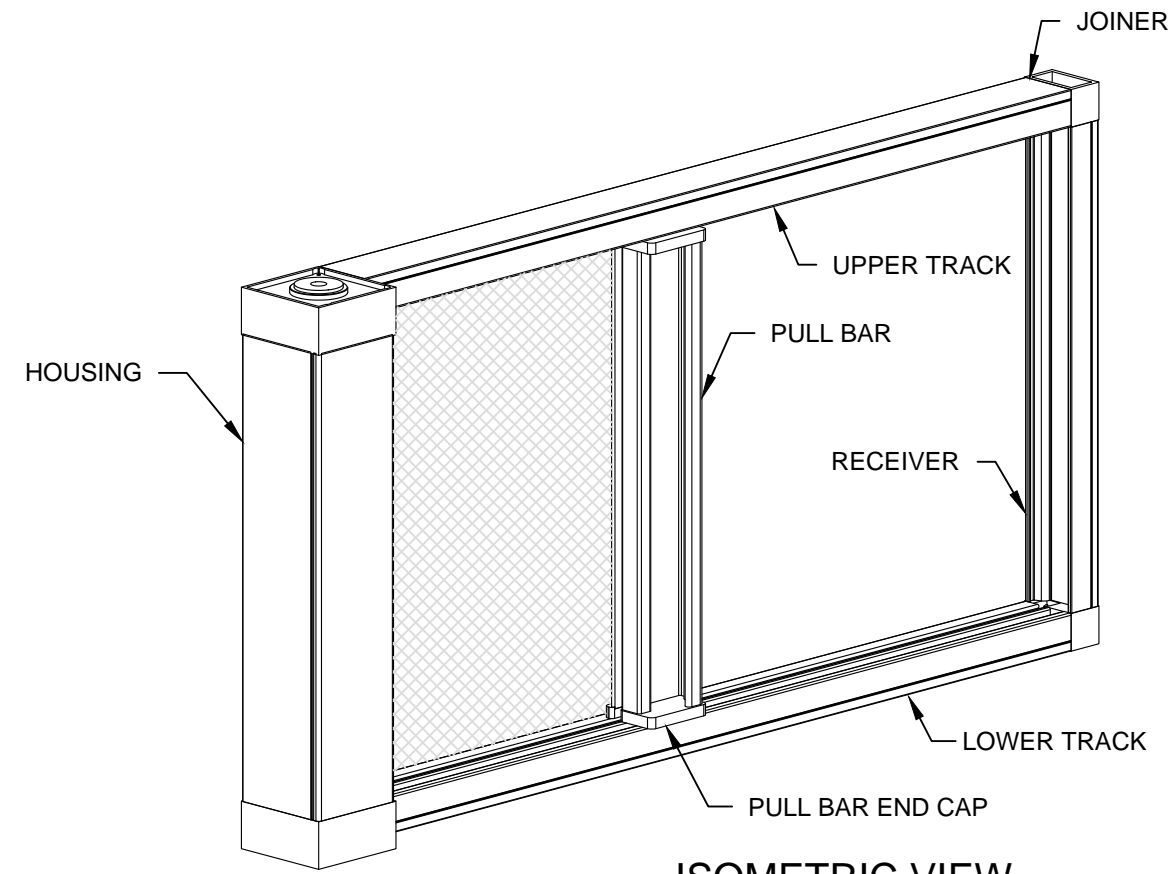


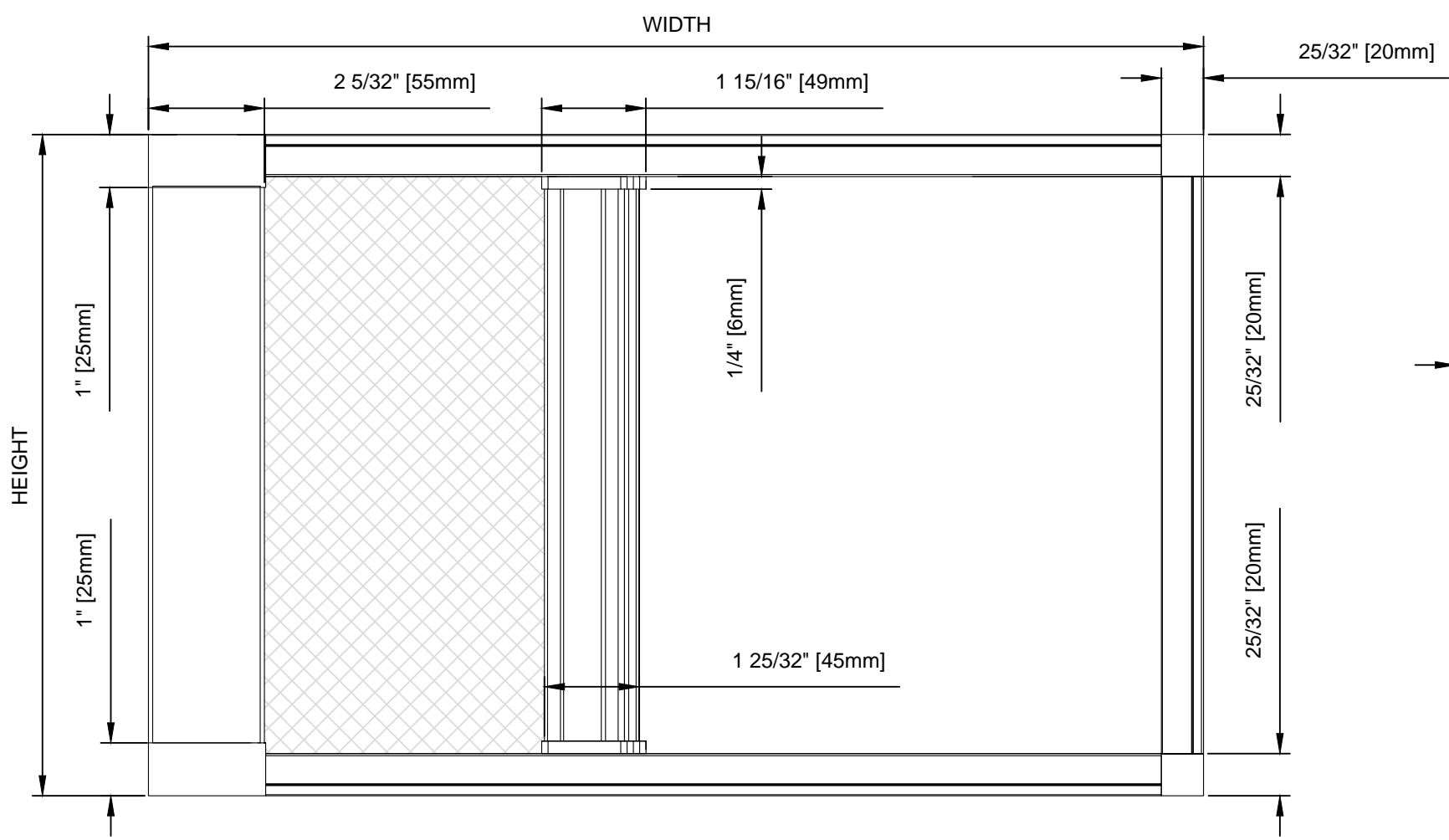
SECTION VIEW



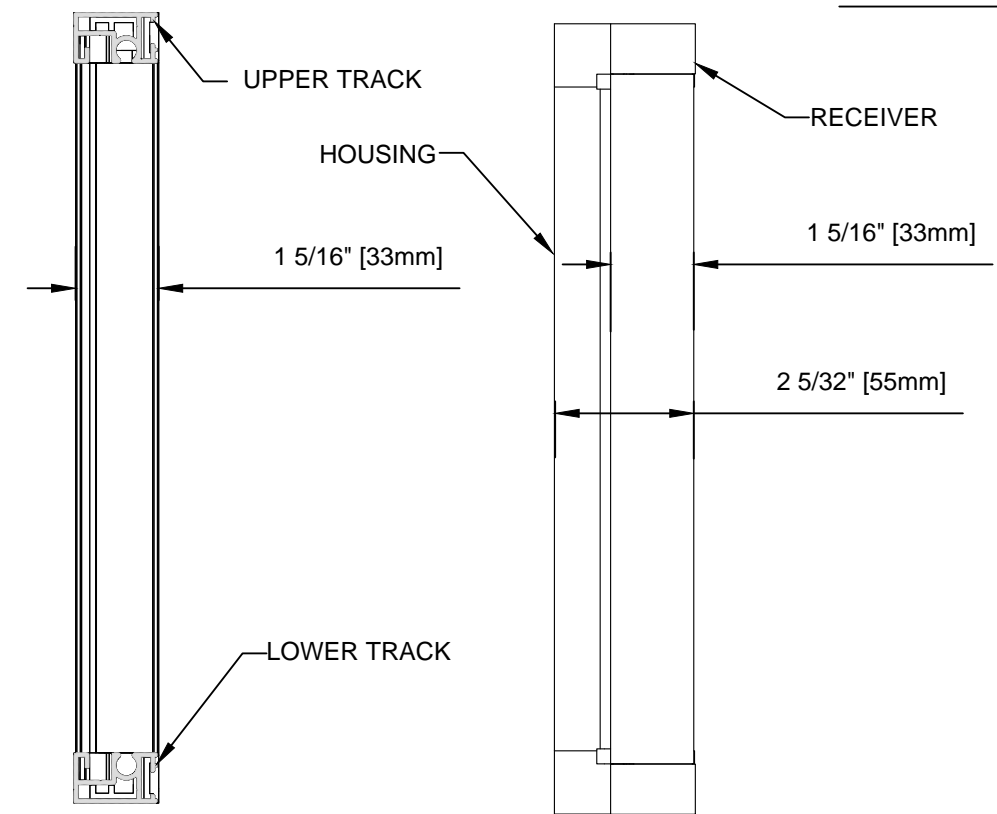
TOP VIEW



ISOMETRIC VIEW



FRONT ELEVATION



SECTION VIEW

END VIEW



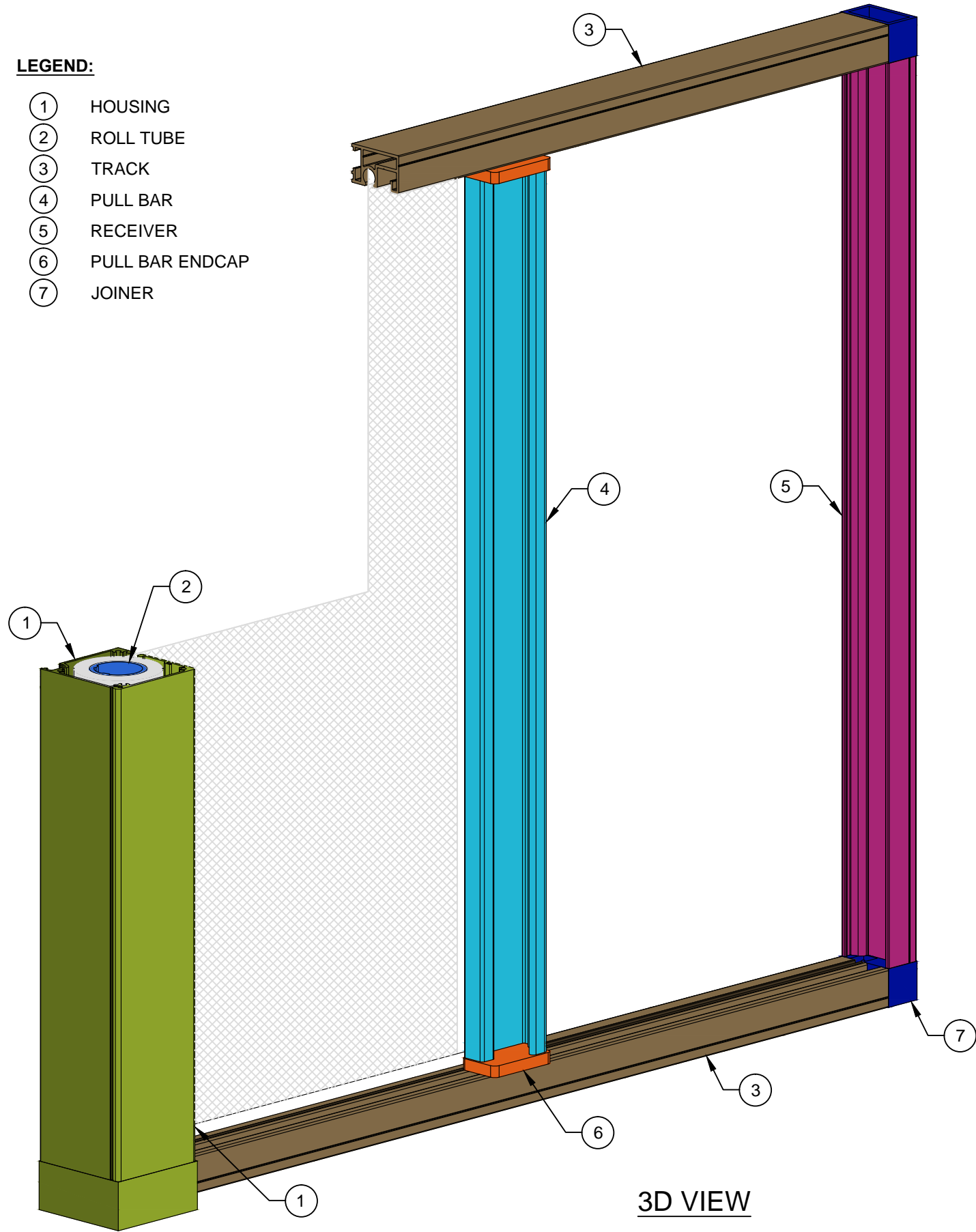
WIZARD INDUSTRIES INC.
 4263 PHILLIPS AVENUE
 BURNABY, BC
 V5A 2X4

BETTERVIEW
 PULL-ACROSS PROFILE

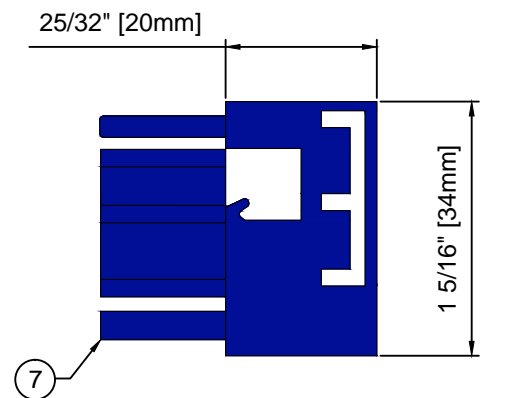
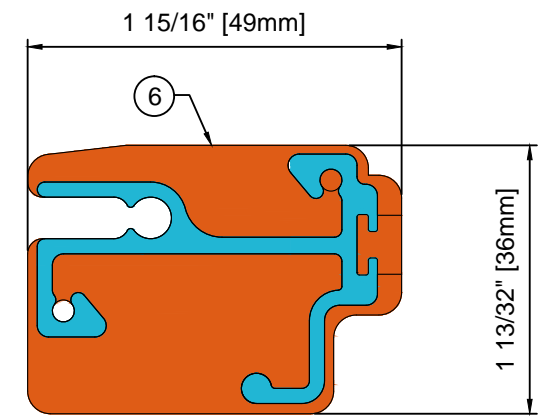
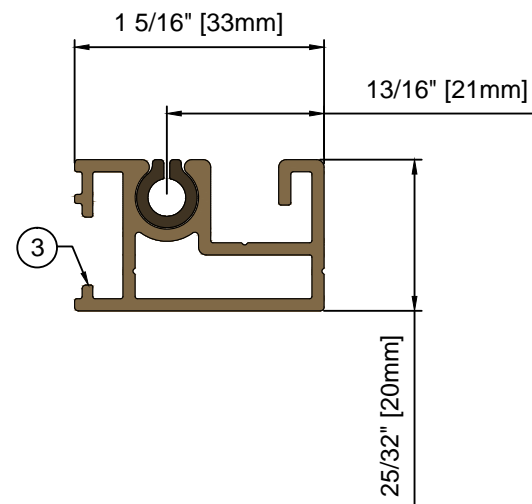
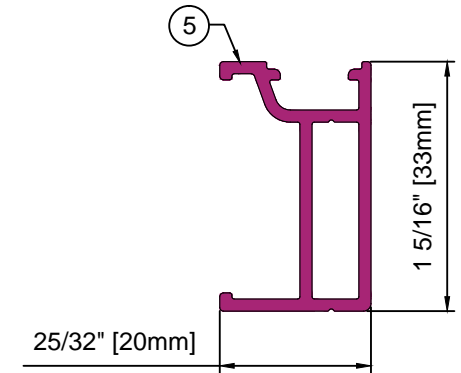
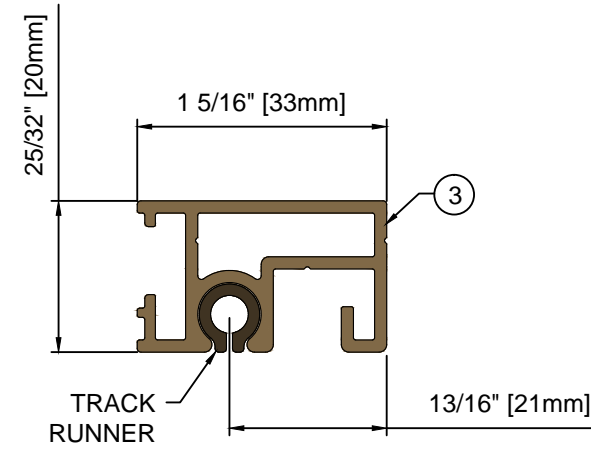
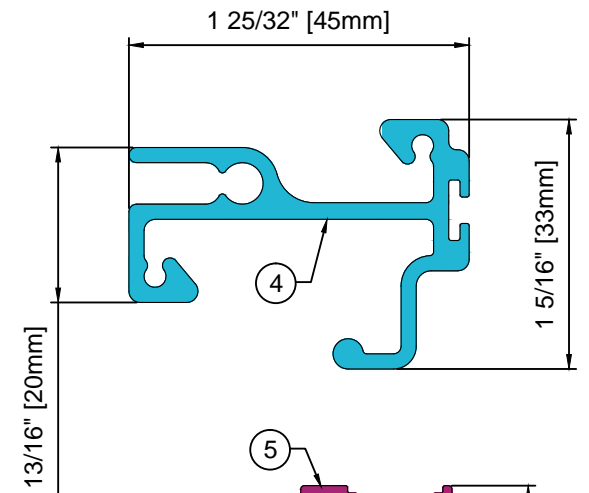
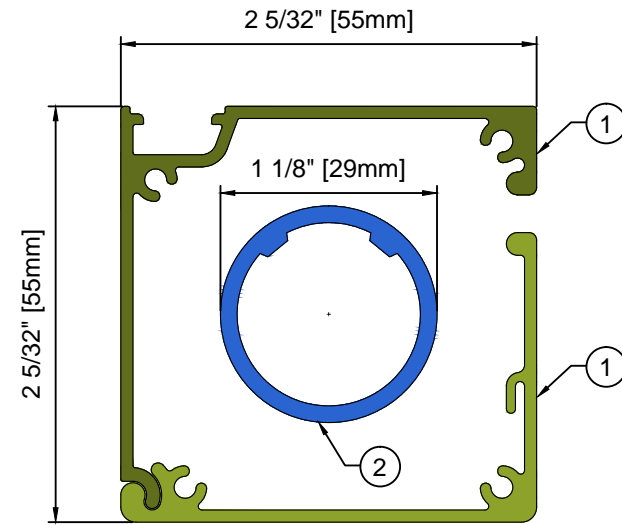
SCALE:
 1:3
 DATE:
 MAY 28 2024
 DWG:
 BV-001

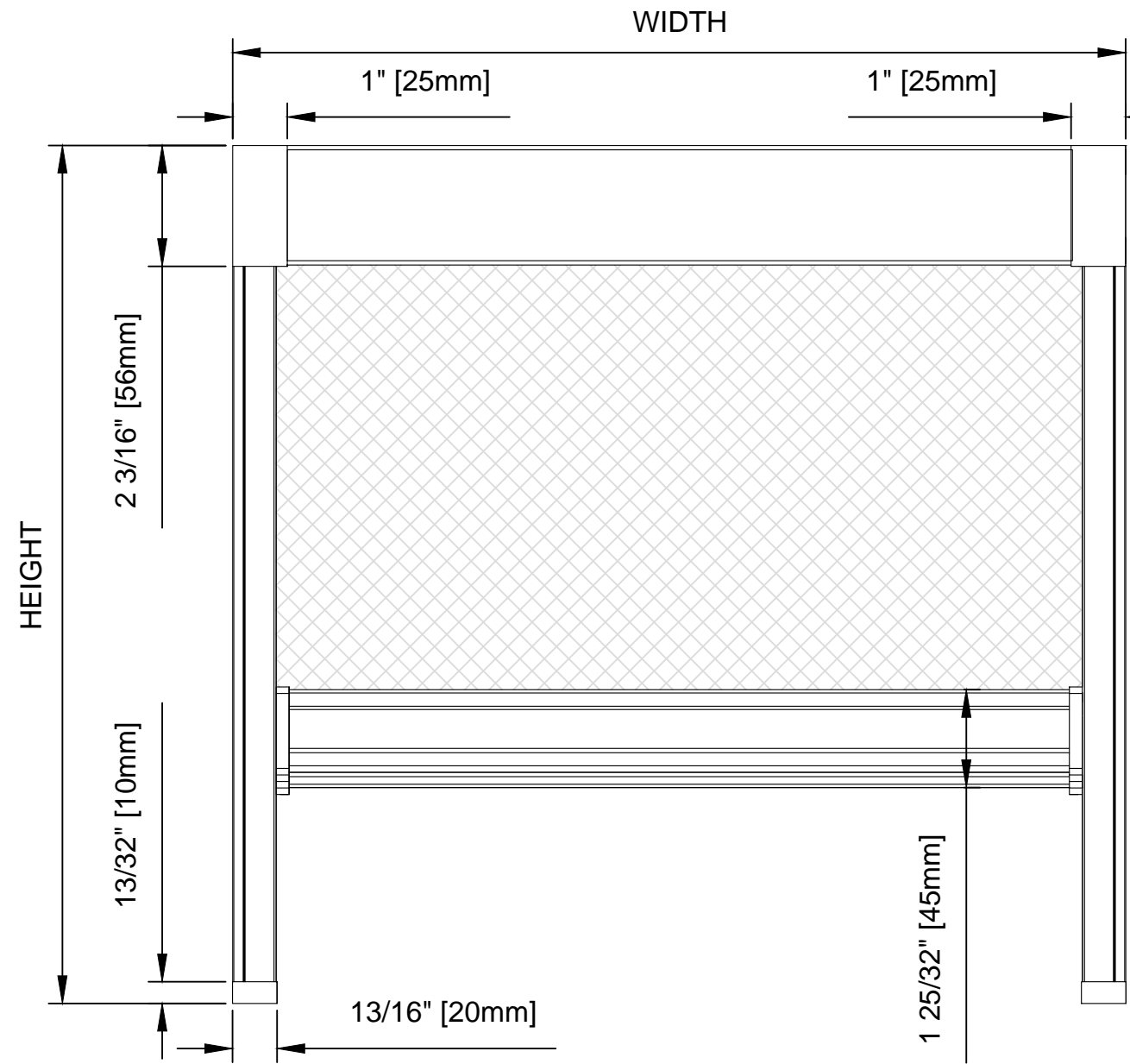
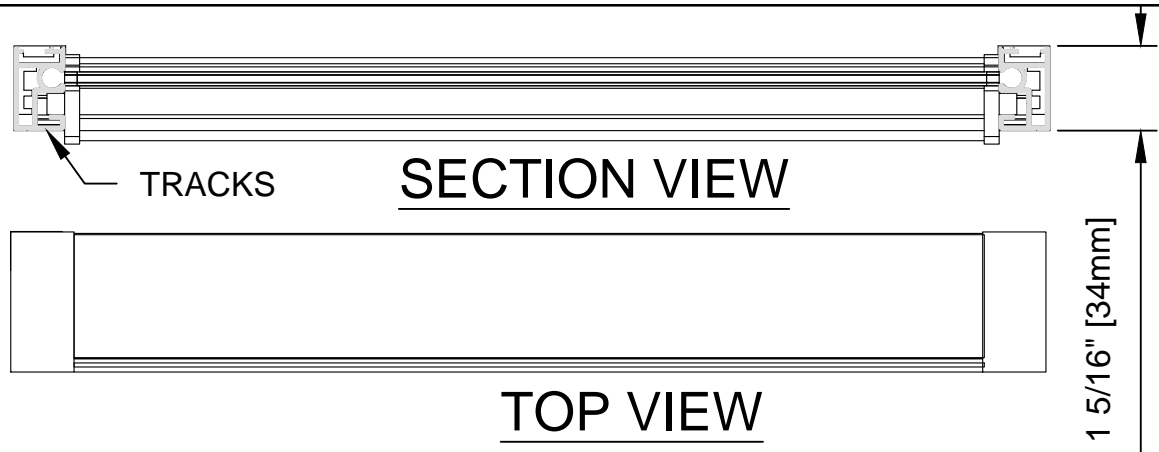
LEGEND:

- ① HOUSING
- ② ROLL TUBE
- ③ TRACK
- ④ PULL BAR
- ⑤ RECEIVER
- ⑥ PULL BAR ENDCAP
- ⑦ JOINER

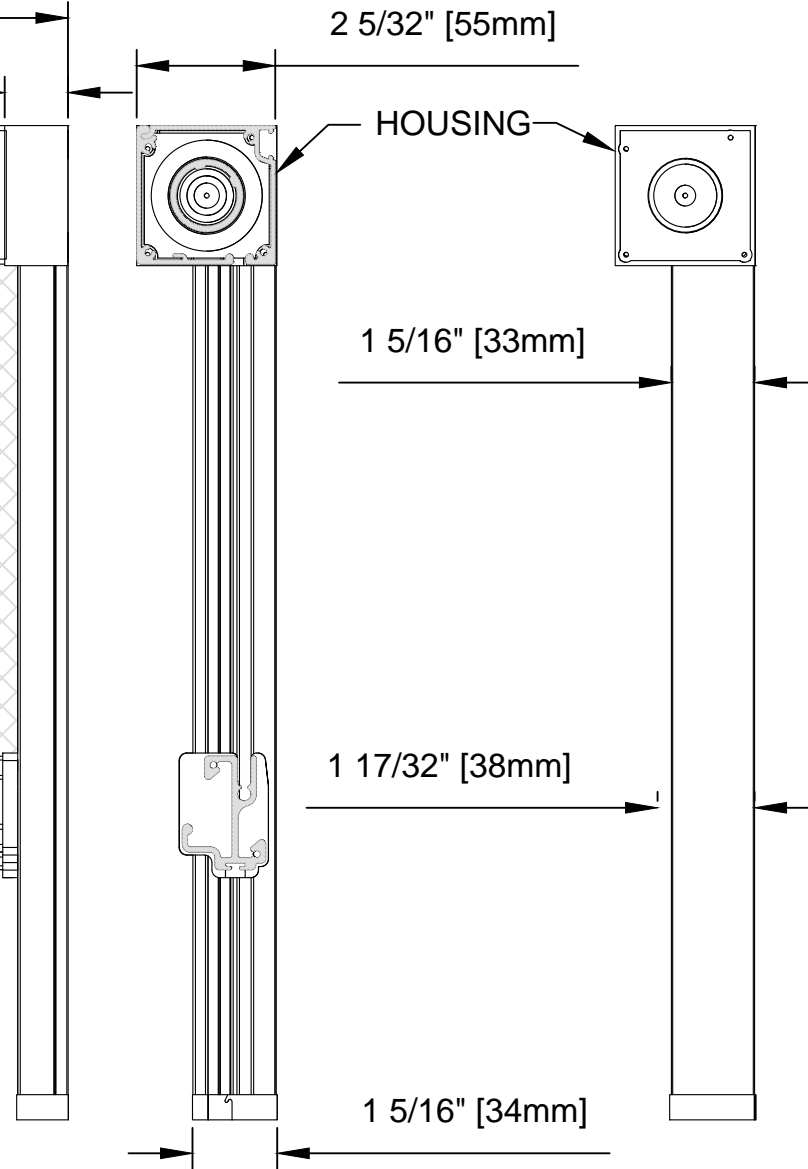


3D VIEW



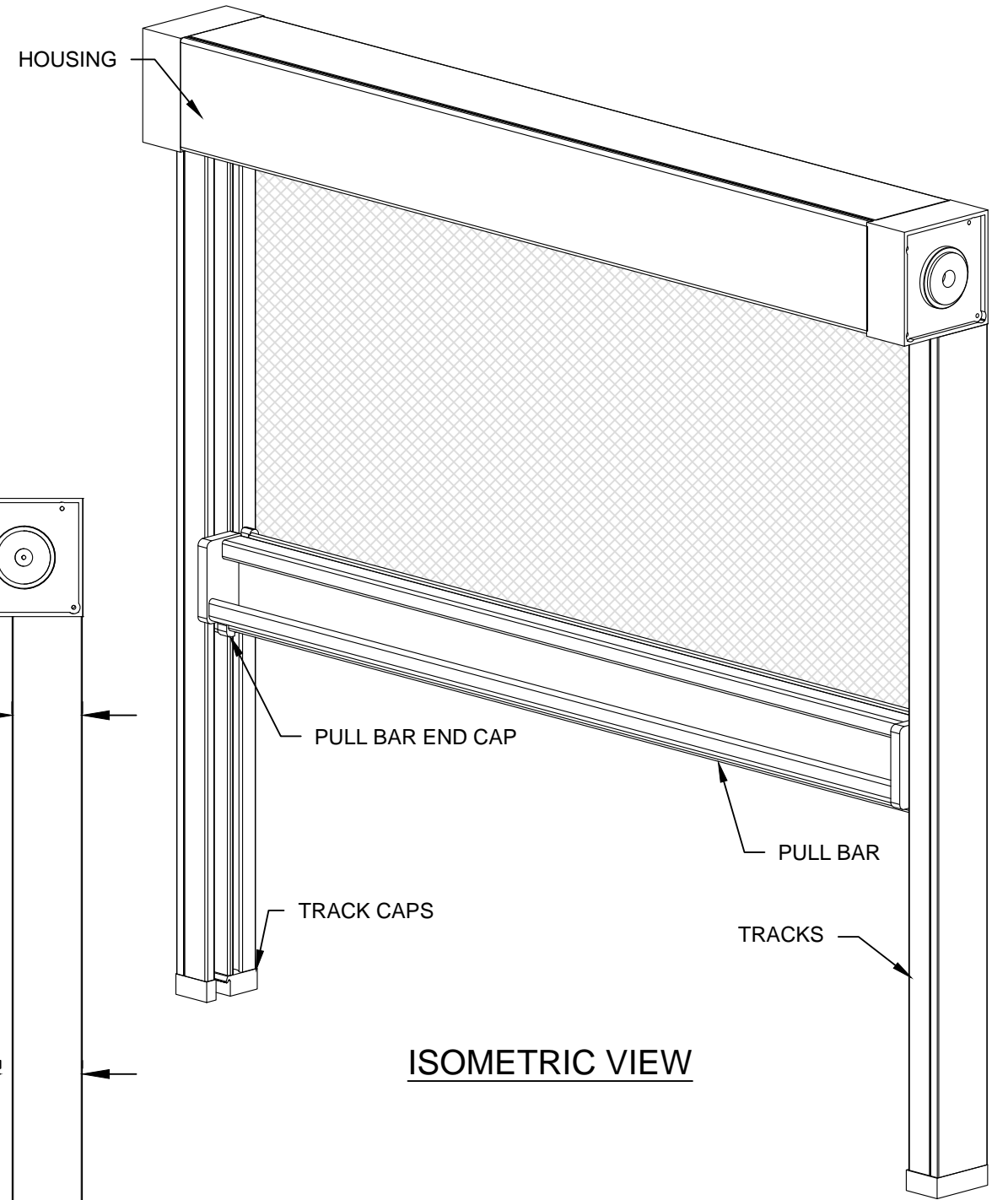


FRONT ELEVATION
SCALE: 1:4



SECTION VIEW
SCALE: 1:4

END VIEW
SCALE: 1:4



ISOMETRIC VIEW



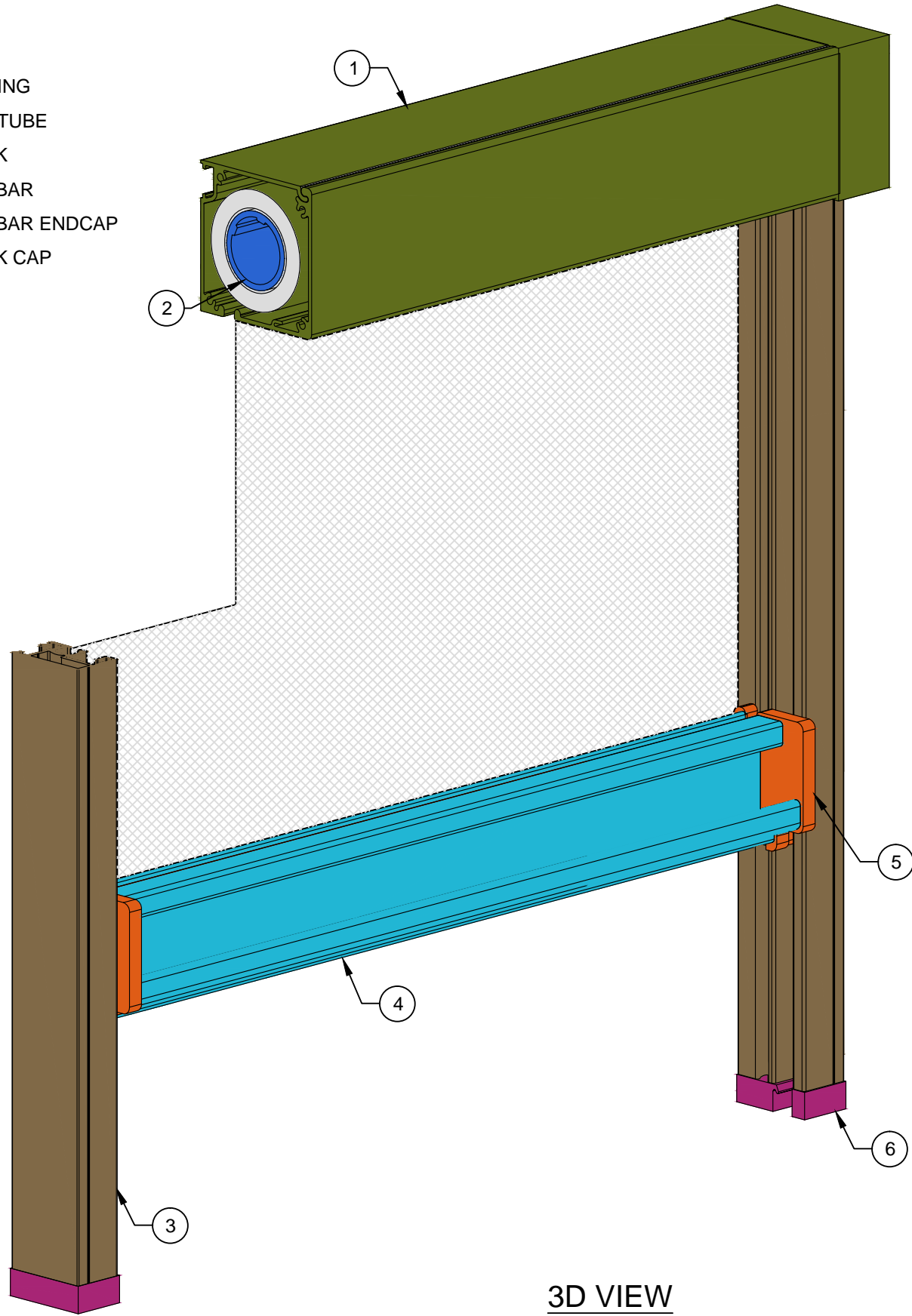
WIZARD INDUSTRIES INC.
4263 PHILLIPS AVENUE
BURNABY, BC
V5A 2X4

BETTERVIEW
PULL - DOWN PROFILE

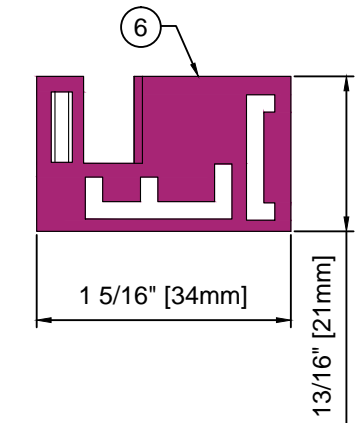
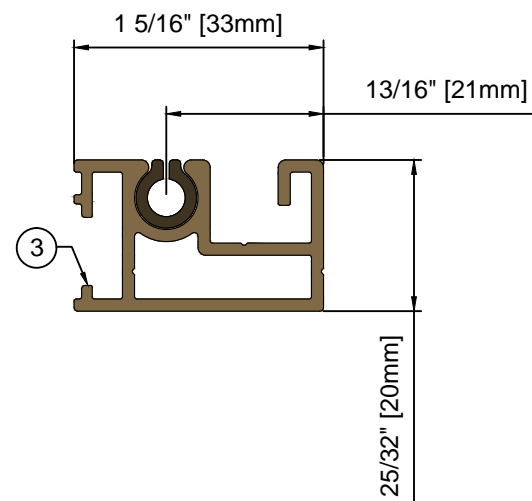
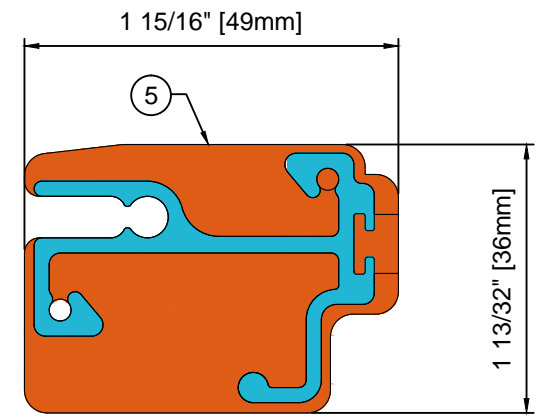
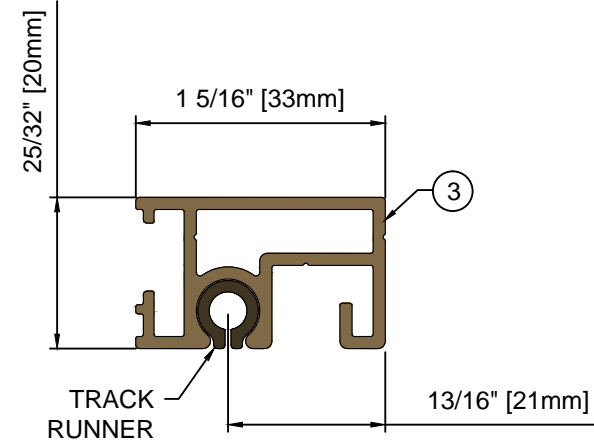
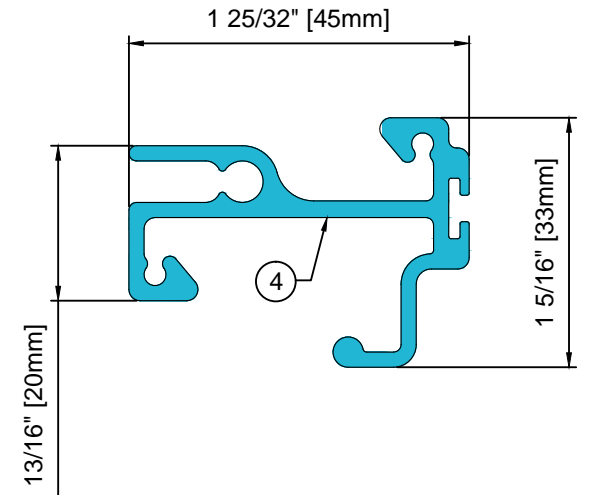
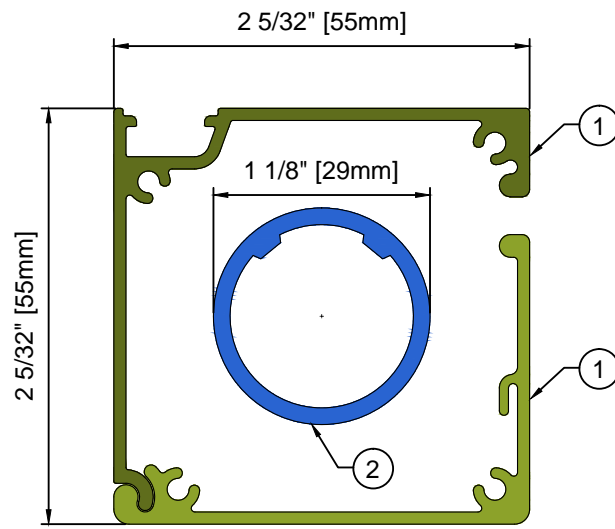
SCALE: 1:3
DATE: MAY 28 2024
DWG: BV-003

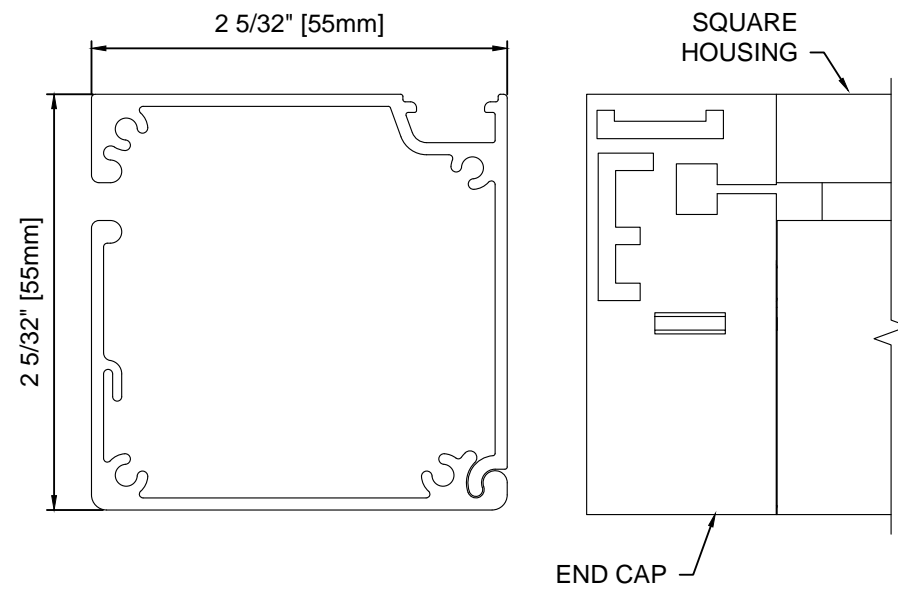
LEGEND:

- ① HOUSING
- ② ROLL TUBE
- ③ TRACK
- ④ PULL BAR
- ⑤ PULL BAR ENDCAP
- ⑥ TRACK CAP

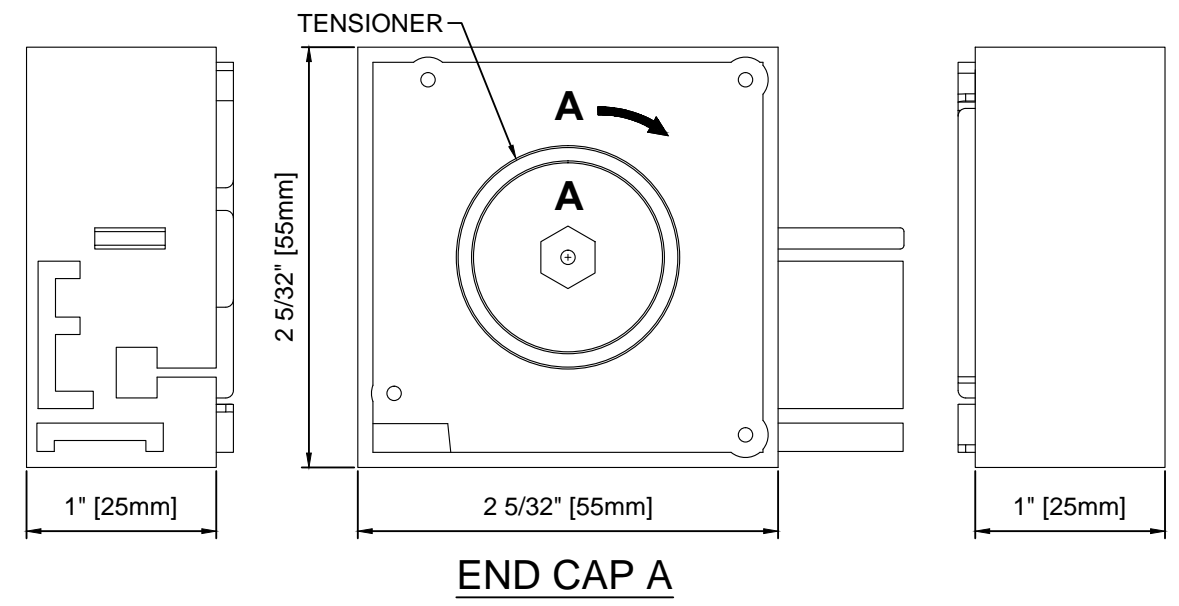


3D VIEW

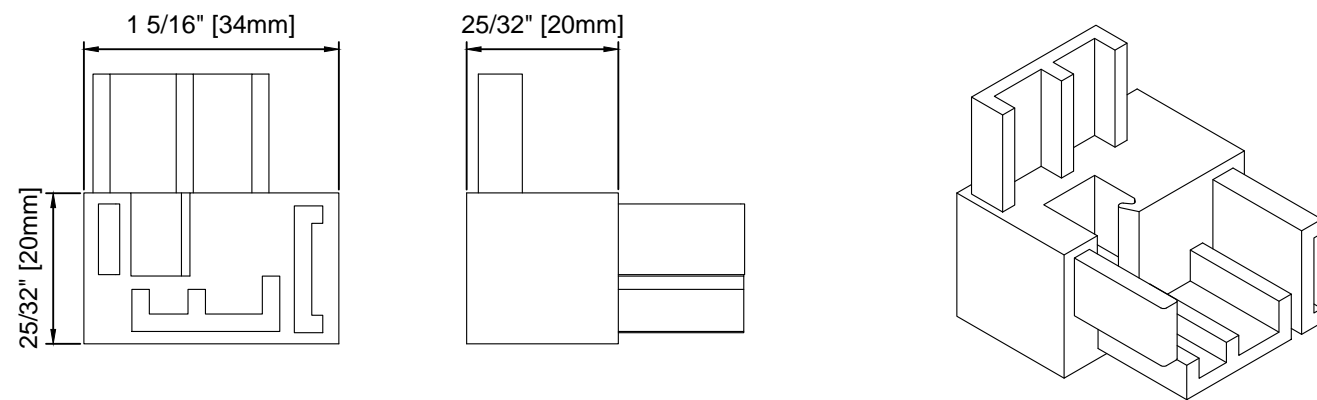




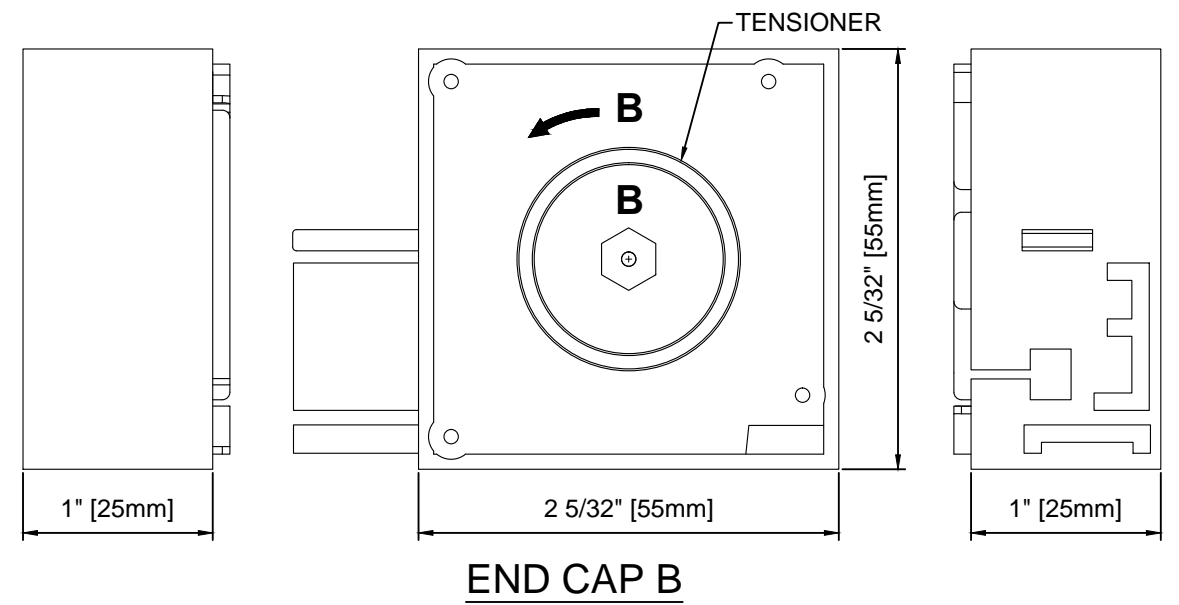
SQUARE HOUSING



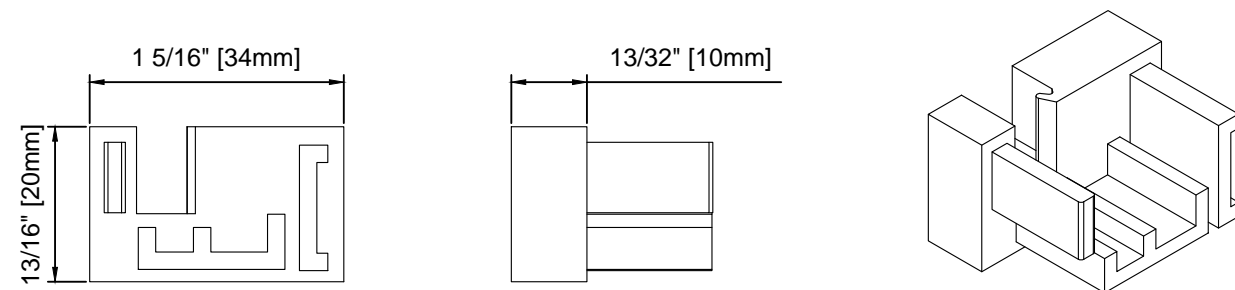
END CAP A



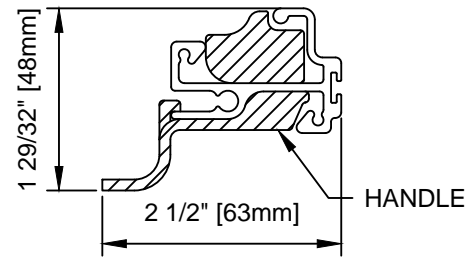
TRACK-TO-RECEIVER JOINER



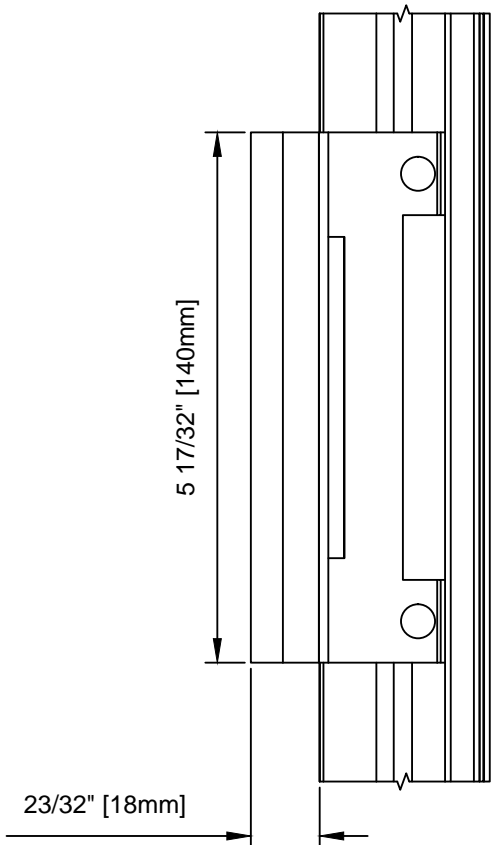
END CAP B



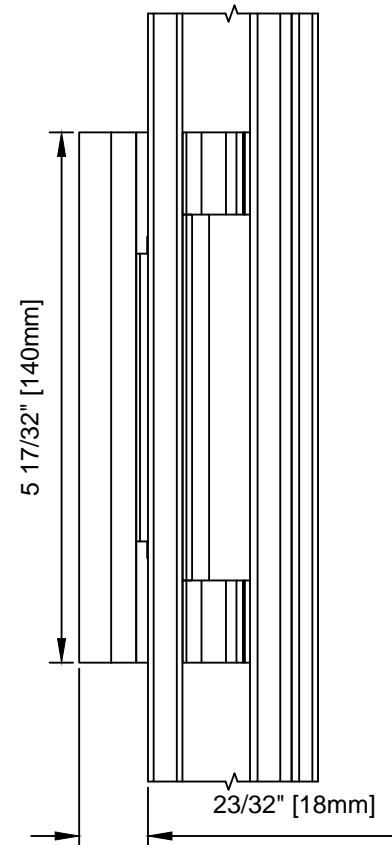
TRACK CAP



SECTION VIEW

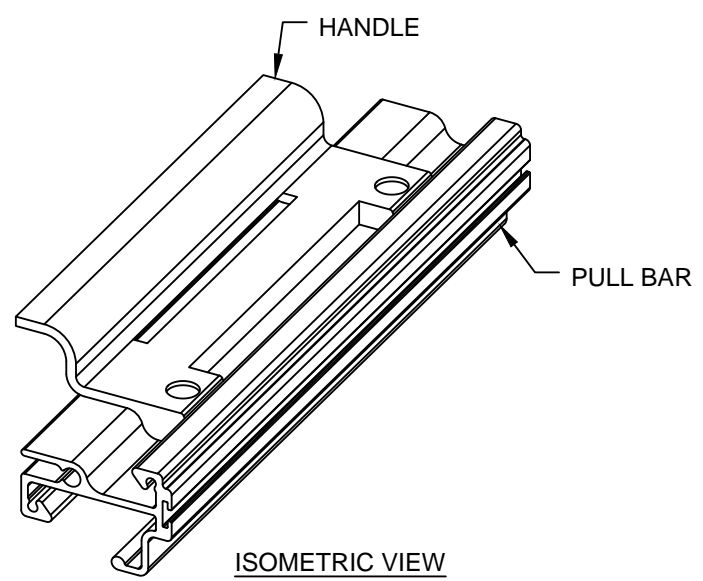


FRONT VIEW

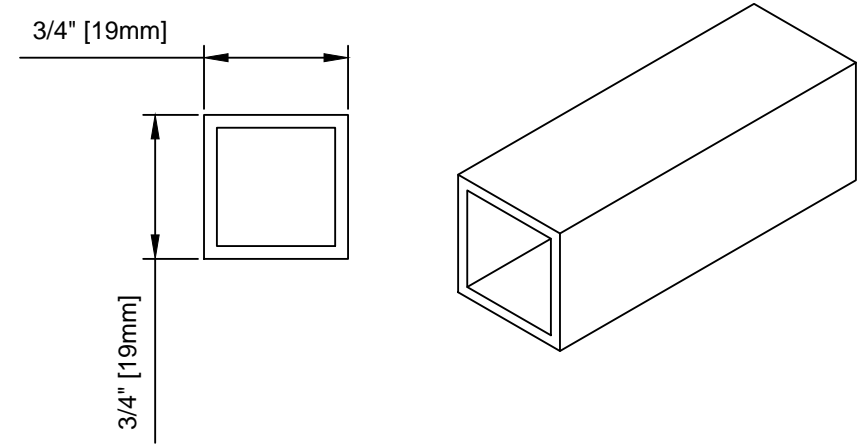


BACK VIEW

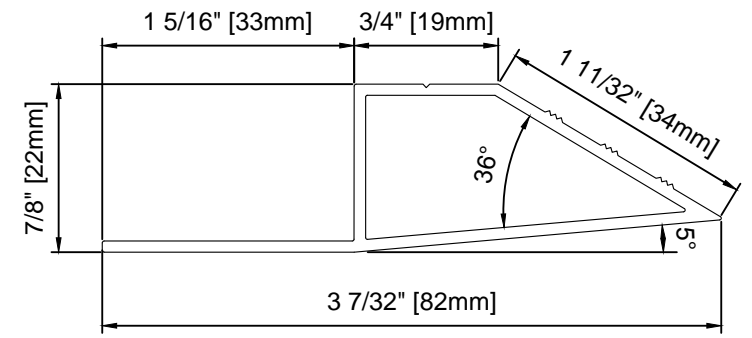
HANDLE
SCALE 1:2



ISOMETRIC VIEW



3/4" SQUARE BUILD-OUT CHANNEL
SCALE: 1:1



SILL ADAPTER
SCALE: 1:1



WIZARD INDUSTRIES INC.
4263 PHILLIPS AVENUE
BURNABY, BC
V5A 2X4

BETTERVIEW
OPTIONAL PARTS DETAILS

SCALE:
AS SHOWN
DATE:
MAY 28 2024
DWG:
BV-006